

## Company Directive

### STANDARD TECHNIQUE: SD5D/3

#### Relating to Arrangements for LV Cut-Outs

##### Policy Summary

This Standard Technique specifies standard LV cut-out arrangements for metering purposes.

**Author:** Andrew Hood / Matthew Pope

**Implementation Date:** November 2020

**Approved by:**



**Paul Jewell**  
DSO Development Manager

**Date:** 17<sup>th</sup> November 2020

<b>Target Staff Group</b>	Staff involved in the design, installation, maintenance and operation of the LV system.
<b>Impact of Changes</b>	Amber - Changes affect staff involved in the design, installation, maintenance and operation of the LV system.
<b>Planned Assurance Checks</b>	Managers shall ensure that all staff involved in the design, installation, maintenance and operation of the LV system are familiar with, and follow, the requirements of this document.

**NOTE:** The current version of this document is stored in the WPD Corporate Information Database. Any other copy in electronic or printed format may be out of date. Copyright © 2020 Western Power Distribution

## IMPLEMENTATION PLAN

### Introduction

This document specifies the standard LV cut-out arrangements used for metered connections and should be read in conjunction with ST: SD5A (*Design of Low Voltage Domestic Connections*) and ST: SD5E (*Design for Low Voltage Commercial and Industrial Connections*).

### Main Changes

This document has been updated as follows:

- Minor amendments have been made to align this Standard Technique: SD5D with Policy: GE1;
- A page has been added to outline the Implementation Plan;
- Sections 3.1 to 3.3 have been rearranged to start with WPD's preferred connection option, of three-phase, and end with the least preferred option, of single-phase;
- Accompanying Figures 1A to 6E have been added to and reordered, to start with three-phase and end with single-phase;
- References to withdrawn document ST: SD6B have been replaced with references to ST: SD5E;
- The labels, throughout this Standard Technique, have been revised;
- References to 'SNE from a CNE main' have been added; and
- Figures for SNE from CNE main have been added.

### Impact of Changes

The impact of this document vision will be minimal.

The labels contained within this document have been revised and SNE derived from a CNE main has been included throughout.

<b>Target Staff Group</b>	<b>Staff involved in the design, installation, maintenance and operation of the LV system.</b>
<b>Impact of Changes</b>	<b>Amber - Changes affect staff involved in the design, installation, maintenance and operation of the LV system.</b>

### Implementation Actions

Managers shall ensure that all staff involved in the design, installation, maintenance and operation of the LV system are familiar with, and follow, the requirements of this document.

### Implementation Timetable

This Standard Technique is to be implemented with immediate effect for new and substantially modified connections. Quotations already issued will be completed as designed upon acceptance, there is no retrospective actions for these connections. Connections designed to SD5D/2 by ICPs will remain acceptable for connection until the end of May 2021.

## 1.0 REVISION HISTORY

<b>Document Revision &amp; Review Table</b>		
<b>Date</b>	<b>Changes / Comments</b>	<b>Author</b>
November 2020	<ul style="list-style-type: none"> <li>• Minor amendments to align policy document with POL: GE1.</li> <li>• Clauses 3.1 to 3.3 have been rearranged to start with three-phase and end with single-phase.</li> <li>• Figures 1A to 6E have been added to and reordered, to start with three-phase and end with single-phase.</li> <li>• Page 2 has been added, to include an Implementation Plan.</li> <li>• References to withdrawn document ST: SD6B have been replaced with references to ST: SD5E.</li> <li>• The labels, throughout this ST: SD5D have been revised.</li> <li>• References to SNE from a CNE main have been added.</li> <li>• Figures have been added to show SNE from a CNE main.</li> </ul>	M. Pope
February 2013	<ul style="list-style-type: none"> <li>• Requirements for multi-service distribution boards have been removed as these are now covered in ST: SD5C.</li> <li>• The arrangements described in section 3.1.3 and in figures 2A, 2B, 2C and 2D are only applicable where the mains cable or overhead line is single phase.</li> </ul>	A. Hood

## CONTENTS

1.0	REVISION HISTORY.....	3
2.0	INTRODUCTION.....	5
3.0	POLICY.....	5
3.1	Three-phase Connections .....	5
3.2	Split-phase / Two-phase Connections.....	7
3.3	Single-phase Connections.....	9
3.4	Looped Services.....	10
3.5	Bunching Service Cables.....	11
3.6	Earthing.....	12
3.7	Isolation Switches.....	13
3.8	Service / Meter Positions.....	14
3.9	Harmonised Phase Colours.....	15
3.10	Mains Cable Entry Requirements.....	16
FIGURE 1A.....	Three-phase PME Connection Arrangement; max. load $\leq 80A/\phi$	17
FIGURE 1B.....	Three-phase SNE Connection Arrangement; max. load $\leq 80A/\phi$	18
FIGURE 1C.....	Three-phase Directly Earthed Connection Arrangement; max. load $\leq 80A/\phi$	19
FIGURE 1D.....	Three-phase SNE from CNE main Connection Arrangement; max. load $\leq 80A/\phi$	20
FIGURE 1E.....	Typical Metering / Customer Arrangement; 3-ph connection; max. load $\leq 80A/\phi$	21
FIGURE 2A.....	Three-phase PME Connection Arrangement; max. load $> 80A/\phi$	22
FIGURE 2B.....	Three-phase SNE Connection Arrangement; max. load $> 80A/\phi$	23
FIGURE 2C.....	Three-phase Directly Earthed Connection Arrangement; max. load $> 80A/\phi$	24
FIGURE 2D.....	Three-phase SNE from CNE main Connection Arrangement; max. load $> 80A/\phi$	25
FIGURE 3A.....	Split-phase or Two-phase PME Connection Arrangement; max. load $\leq 80A/\phi$	26
FIGURE 3B.....	Split-phase or Two-phase SNE Connection Arrangement; max. load $\leq 80A/\phi$	27
FIGURE 3C.....	Split-phase or Two-phase Directly Earthed Connection Arrangement; max. load $\leq 80A/\phi$	28
FIGURE 3D.....	Split-phase or Two-phase SNE from CNE main Connection Arrangement; max. load $\leq 80A/\phi$	29
FIGURE 3E.....	Typical Metering / Customer Arrangement; split-ph or 2-ph; max. load $\leq 80A/\phi$	30
FIGURE 4A.....	Split-phase PME Connection Arrangement; max. load $> 80A/\phi$	31
FIGURE 4B.....	Split-phase SNE Connection Arrangement; max. load $> 80A/\phi$	32
FIGURE 4C.....	Split-phase Directly Earthed Connection Arrangement; max. load $> 80A/\phi$	33
FIGURE 4D.....	Split-phase SNE from CNE main Connection Arrangement; max. load $> 80A/\phi$	34
FIGURE 5A.....	Single-phase PME Connection Arrangement (Three-phase Cut-out);	35
FIGURE 5B.....	Single-phase SNE Connection Arrangement (Three-phase Cut-out);	36
FIGURE 5C.....	Single-phase Directly Earthed Connection Arrangement (Three-phase Cut-out);	37
FIGURE 5D.....	Single-phase SNE from CNE main Connection Arrangement (Three-phase Cut-out);	38
FIGURE 5E.....	Single-phase PME Connection Arrangement; max. load $\leq 80A$	39
FIGURE 5F.....	Single-phase SNE Connection Arrangement; max. load $\leq 80A$	40
FIGURE 5G.....	Single-phase Directly Earthed Connection Arrangement; max. load $\leq 80A$	41
FIGURE 5H.....	Single-phase SNE from CNE main Connection Arrangement; max. load $\leq 80A$	42
FIGURE 5I.....	Typical Metering / Customer Arrangement; 1-ph connection from 3-ph cut-out	43
FIGURE 5J.....	Typical Metering / Customer Arrangement; 1-ph connection with load $\leq 80A$	44
FIGURE 5K.....	Connect to L* Labels (L1 / L2 / L3) for Figures 5A to 5D	45
FIGURE 5L.....	Bunched Three-Phase Service Cable Termination into Single-Phase Cut-Out	46
FIGURE 6A.....	Single-phase PME Connection Arrangement; max. load 80A - 160A	47
FIGURE 6B.....	Single-phase SNE Connection Arrangement; max. load 80A - 160A	48
FIGURE 6C.....	Single-phase Directly Earthed Connection Arrangement; max. load 80A - 160A	49
FIGURE 6D.....	Single-phase SNE from CNE main Connection Arrangement; max. load 80A - 160A	50
FIGURE 6E.....	Typical Metering / Customer Arrangement; 1-ph connection; max. load 80A - 160A	51
FIGURE 7.....	Isolation Switches	52
FIGURE 8.....	Typical Isolation Switch Application	53
FIGURE 9.....	Cable Entry Requirements for Wavecon Cable (Draw Pit)	54
FIGURE 10.....	Cable Entry Requirements for Wavecon Cable (Slow Bend)	55

## APPENDICES

APPENDIX A	Superseded Documentation .....	56
APPENDIX B	Record of Comment During Consultation .....	56
APPENDIX C	Associated Documentation .....	56
APPENDIX D	Key Words .....	56

## 2.0 INTRODUCTION

This document specifies the standard LV cut-out arrangements used for metered connections and should be read in conjunction with ST: SD5A (*Design of Low Voltage Domestic Connections*) and ST: SD5E (*Design for Low Voltage Commercial and Industrial Connections*).

Requirements for multi-service distribution boards are defined in ST: SD5C (*Low Voltage Connections to Multi-occupancy and Equivalent Buildings*).

Requirements for maximum permissible Earth Fault and Phase to Neutral Loop Impedance values can be found in ST: SD5R (*Earth Fault Loop Impedances and Phase to Neutral Loop Impedances*).

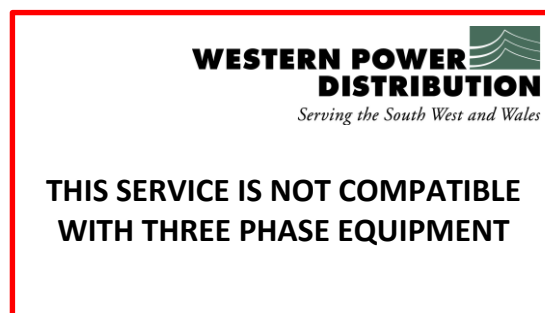
## 3.0 POLICY

The document covers the following phase connections:

- Three-phase
- Split-phase
- Two-phase (two phases of a three-phase system)
- Single-phase

The arrangements and fuses sizes specified in this document are applicable to new or substantially modified installations.

Any single-phase, split-phase or two-phase installation that could be confused with a three-phase installation should carry a label, installed in a prominent position close to the cut-out/s. Labels are ordered using the order form available from the Corporate Print section within the Purchasing Catalogue.



**Not Compatible Label  
(WPD Ref. 400149)**

### 3.1 Three-phase Connections

Three-phase connections are the preferred means of connection to one of WPD's distribution systems.

Where new or substantially modified connections are to be made onto a mains conductor with three phases available, these connections shall utilise three-phase conductors and terminations, in accordance with ST: SD5A.

### 3.1.1 Three-phase loads up to 80A per phase

Three-phase connections up to 80A per phase are derived from a 100A cut-out and three-phase service cable. The maximum cut-out fuse rating is 80A and the service must be rated at, or above, the cut-out fuse.

Figure 1A, 1B, 1C and 1D show standard connection arrangements for PME, SNE and directly earthed installations. A typical metering arrangement is shown in Figure 1E.

Except for where a compact Multi-Service Distribution Board is installed, the maximum number of single-phase consumers that may be serviced from a standard, 100A three-phase cut-out is three, and the maximum number of three-phase consumers that may be connected is one<sup>[1]</sup> – i.e. Planners and Designers shall not design to allow shared fuses.

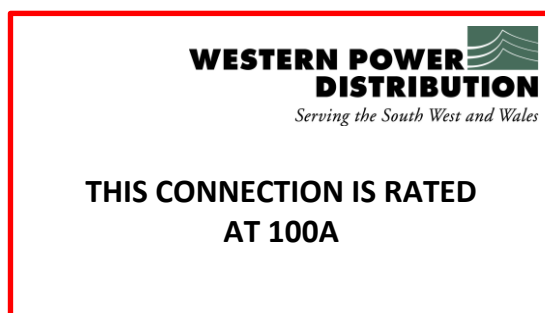
Notes:

[1] The 3x single-phase and 1x three-phase consumers are independent maximums. It would not be acceptable for these 4x consumers to be connected to a single three-phase cut-out, without the use of an MSDB.

### 3.1.2 Three-phase loads from 80A to 100A per phase

It is *sometimes* possible to install 100A cut-out fuses and utilise the full rating of a 100A cut-out. This option may only be used where all the following conditions are satisfied:

- 100A DMC (dough moulded clay) type cut-out is installed. This is the current grey-coloured cut-out purchased by WPD;
- Service cable is rated at 100A or above (e.g. 35mm<sup>2</sup> hybrid or 25mm<sup>2</sup> copper concentric cable);
- The ambient temperature at the cut-out position will be 20°C or less during the maximum demand. This may be assumed where the cut-out is installed away from any heat sources and maximum demand occurs during the night or during winter/cold periods; and
- A '100A label' (WPD Ref. W400189) shall be installed adjacent to the cut-out to notify the Meter Operator that 100A metering is required.



**100A Label  
(WPD Ref. 400189)**

In all other respects the connection arrangements are identical to those described in 3.1.1.

More commonly, where one or more of the above requirements cannot be satisfied, such a three-phase load should be provided from a heavy duty cut-out and mains cable (e.g. Wavecon), as detailed in Clause 3.1.3, below.

### 3.1.3 Three-phase loads in excess of 100A per phase

Three-phase loads in excess of 100A are normally derived from a three-phase mains cable (e.g. Wavecon) and a combined cut-out/CT metering panel. The maximum capacity is dictated by cut-out and cable ratings.

Mains cable entry requirements are specified in Section 3.10.

The cut-out fuse must be rated at, or below the rating of the cut-out and mains cable.

CT metering is required where the load is above 100A per phase.

Figure 2A, 2B, 2C and 2D provide further information.

### 3.1.4 Conversion of Single-Phase connections to Three-phase, for loads up to 60A per phase<sup>[1]</sup>

Where an existing single-phase connection has previously been installed to a premises, and the customer wants to upgrade to a three-phase supply (e.g. due to the installation of Low Carbon Technologies), provided that there is sufficient space in the existing metering position, the existing single-phase cut-out and metering could be replaced with a 100A three-phase DMC cut-out, as a retrofit, to provide up to 60A (13.8kVA) per phase. This option may only be used where all the following conditions are satisfied:

- 100A DMC (dough moulded clay) type cut-out is installed. This is the current grey-coloured cut-out purchased by WPD; and
- Ambient temperature at the cut-out position will be 20°C or less during the maximum demand. This may be assumed where the cut-out is installed away from any heat sources and maximum demand occurs during the night or during winter/cold periods.

In all other respects the connection arrangements are identical to those described in 3.1.1.

Notes:

[1] At the time of writing this Standard Technique: SD5D, an approved method for providing a three-phase retrofit within a single-phase meter box is still under development, and is expected to be available for wider use in 2021.

Where the above conditions cannot be satisfied, a standard three-phase set-up, as described in Clause 3.1.1 should be utilised.

## 3.2 **Split-phase / Two-phase Connections**

Split-phase connections are derived from split-phase transformers or in some cases from three-phase transformers connected in a split-phase configuration. The two phases operate 180° apart and, in a perfectly balanced system, no current flows in the neutral.

Two-phase connections are derived from two separate phases of a three-phase system. In this case the phases operate 120° apart and, in a perfectly balanced arrangement, neutral current will be equal to the phase current. As a result, the service voltage drop will be greater than for a balanced split-phase or three-phase connection.

Two-phase connections shall not be provided where the mains cable or overhead line has three-phases available.

Where the installation of a three-phase connection is deemed not to be practicable, if the provision of multiple phases would be practicable, new connections to the distribution system should be made via the multiple phases available (e.g. split-phase or two-phases of a three-phase system).

### 3.2.1 Split-phase and two-phase loads up to 80A per phase

Split-phase and two-phase connections up to 80A per phase are derived from a 3-phase service cable and 100A cut-out. The maximum cut-out fuse rating is 80A and the service is rated at, or above, the fuse size. Further information is provided in Figure 3A, 3B, 3C and 3D and a typical metering arrangement is shown in Figure 3E.

A 25mm<sup>2</sup> copper tail (minimum) is used to connect the third core to the neutral.

A 'Not Compatible Label' (WPD Ref. W400149) shall be installed adjacent to the cut-out to warn that 3 phases are not available.

The maximum number of single-phase consumers that may be serviced from a standard, 100A split or two-phase cut-out is two, and the maximum number of split or two-phase consumers that may be connected is one<sup>[1]</sup> – i.e. Planners and Designers shall not design to allow shared fuses.

Notes:

[1] The 2x single-phase and 1x split or two-phase consumers are independent maximums. It would not be acceptable for these 3x consumers to be connected to a single split or two-phase cut-out.

### 3.2.2 Split-phase and two-phase loads from 80A to 100A per phase

It is *sometimes* possible to use 100A cut-out fuses and utilise the full rating of the cut-out. This option may only be used where all the following conditions are satisfied:

- 100A DMC (dough moulded clay) type cut-out is installed. This is the current grey-coloured cut-out specified by WPD;
- Service cable is rated at 100A or above (e.g. 35mm<sup>2</sup> hybrid or 25mm<sup>2</sup> copper concentric cable);
- Ambient temperature at the cut-out position will be 20°C or less during the maximum demand. This may be assumed where the cut-out is installed away from any heat sources and maximum demand occurs during the night or during winter/cold periods;
- A '100A label' (WPD Ref. W400189) shall be installed adjacent to the cut-out to notify the Meter Operator that 100A metering is required (see 3.1.2 for label requirements); and
- A 'Not Compatible Label' (WPD Ref. W400149) shall be installed adjacent to the cut-out to warn that 3 phases are not available.

In all other respects the connection arrangements are identical to those described in 3.2.1.

More commonly, where one or more of the above requirements cannot be satisfied, such split-phase loads should be provided using a split-phase or three-phase connection utilising a heavy duty cut-out and mains cable (e.g. Wavecon), as detailed in Clause 3.2.3, below.

### 3.2.3 Split-phase and two-phase loads in excess of 100 A per phase

The maximum capacity for two-phase connections is 100A per phase. CT metering is not available for new or substantially modified two-phase installations.



The maximum capacity for split-phase connections is limited by mains cable and distribution transformer ratings. The largest split-phase transformer used as standard is 100kVA, although in South Wales Area larger three-phase transformers are sometimes connected in split-phase configuration to provide increased capacity.

CT metering is required for all split phase loads above 100A per phase.

Mains cable entry requirements are specified in Section 3.10.

The cut-out fuse size must be rated at, or below, the cut-out and mains cable ratings.

A 'Not Compatible Label' (WPD Ref. W400149) shall be installed adjacent to the cut-out to warn that 3 phases are not available.

Further information is provided in Figure 4A, 4B, 4C and 4D.

### 3.3 Single-phase Connections

Single-phase connections are normally provided up to 80A per phase as standard. For connections above this value the preferred option is to utilise a three-phase or split-phase connection. If only single-phase mains is available, for example, where a single phase transformer has been installed connections up to 160A can be provided.

CT metering shall not be provided for new or substantially modified single-phase connections.

Single-phase supplies should only be provided to new connections to the distribution system where it has been determined that it would not be reasonably practicable to provide a connection consisting of multiple phases (i.e. three-phase, split-phase or two-phase, in that respective order of preference).

#### 3.3.1 Single-phase loads up to 80A

Single-phase connections are normally restricted to 80A to prevent the 100A cut-out overheating in hot conditions. The maximum cut-out fuse rating is 80A, although in some specific cases the load is restricted to less than 80A by the use of smaller cut-out fuses, for example in some multi-occupancy buildings.

The service cable and the tails connected to the cut-out shall be rated at, or above, the cut-out fuse rating, taking account of the installation method.

Figure 5A, 5B, 5C and 5D show standard connection arrangements utilising three-phase cut-outs, with single-phase cut-out equivalents shown in Figures 5E, 5F, 5G and 5H. Typical metering arrangements are shown in Figures 5I and 5J.

Where a single-phase connection is derived from a three-phase cut-out with only a single fuse inserted (and dummy fuses in the remaining two fuse-ways), a suitable 'Connect to L\*' label (Figure 5K) and 'Not Compatible Label' (WPD Ref. W400149) shall be installed adjacent to the cut-out to warn that 3 phases are not available.

The maximum number of single-phase consumers that may be serviced from a standard, 100A single-phase cut-out is one – i.e. Planners and Designers shall not design to allow shared fuses.

#### 3.3.2 Single-phase loads from 80A to 100A

100A cut-outs used in relatively cool conditions can deliver up to 100A of load. Where single-phase load is between 80A and 100A the preferred option is to provide a split-phase or three-phase connection or to use the method described in 3.1.3. Alternatively, it is

sometimes possible to insert a 100A cut-out fuse and utilise the full 100A rating of a single-phase cut-out.

This option may only be used where all the following conditions are satisfied:

- 100A DMC (dough moulded clay) type cut-out is installed. This is the current grey-coloured cut-out specified by WPD;
- Service cable is rated at 100A or above (e.g. 35mm<sup>2</sup> hybrid or 25mm<sup>2</sup> copper concentric cable);
- Ambient temperature at the cut-out position will be 20°C or less during the maximum demand. This may be assumed where the cut-out is installed away from any heat sources and maximum demand occurs during the night or during winter/cold periods; and
- A '100A Label' (WPD Ref. W400189) shall be installed adjacent to the cut-out to notify the meter operator that 100A metering is required (see 3.1.2 for label requirements).

In all other respects the connection arrangements are identical to those described in 3.3.1 and Figures 5A, 5B, 5C and 5D (three-phase cut-outs) or Figures 5E, 5F, 5G and 5H (single-phase cut-outs)

Where a single-phase connection is derived from a three-phase cut-out with only a single fuse inserted (and dummy fuses in the remaining two fuse-ways), a suitable 'Connect to L\*' label (Figure 5K) and 'Not Compatible Label' (WPD Ref. W400149) shall be installed adjacent to the cut-out to warn that 3 phases are not available.

### 3.3.3 Single-phase loads from 80A to 160A

These connections shall only be used where the mains cable or overhead line only has a single phase available. In all other cases a poly-phase (i.e. three-phase, split-phase or two-phase) connection shall be provided as this reduces the unbalance on the network. The connection is derived from a three-phase service cable, 100A three-phase cut-out and poly-phase metering. Further information is provided in Figure 6A, 6B, 6C and 6D.

WPD's 100A three-phase DMC type cut-outs (current grey coloured cut-outs) have been type tested for this duty. Other types of cut-out must not be used.

The maximum cut-out fuse used with this arrangement is 80A and the service cable rated at 80A per phase or higher.

A 25mm<sup>2</sup> copper tail (minimum) is used to connect together the two cores used for the neutral.

Any bunched connections must be made above ground (see section 3.5).

A 'Not Compatible Label' (WPD Ref. W400149) shall be installed adjacent to the cut-out to warn that 3 phases are not available.

The customer must split their load into two groups, each of which is connected to a separate cut-out. A typical arrangement is shown in Figure 6E.

## 3.4 **Looped Services**

In order to prevent cut-outs from overheating, service cables shall not normally be looped from the bottom of cut-outs.

It is only acceptable to loop from the bottom of a cut-out for the purposes of providing a landlords or building services supply. In addition, all the following conditions must be satisfied:

- Only one looped connection may be provided.
- The total load of the main connection and looped connection must be assessed as being well below the rating of the incoming cable and cut-out<sup>[1]</sup>.
- The rating of the incoming cut-out and incoming cable must be equal to, or greater than, the summated ratings of the main cut-out fuse and looped cut-out fuse.
- The looped service must be terminated in a cut-out within the same building as the incoming connection and both cut-outs must be located within 5m of each other.

Notes:

[1] An example of this would be, if a 25mm<sup>2</sup> three-phase LSF Split Copper Concentric service were to be terminated into a standard three-phase DMC cut-out, to supply three flats and a landlord supply. The rating of both cut-out and service cable could (under conditions stated in Clause 3.1.2) be considered capable of 100A. Where a landlord supply is to be provided, one of the three fuses is to be down-rated to 60A, so that a 30A fuse can be fitted in the looped landlord fuse carrier. The aggregate of these two fuse sizes equates to 90A, which would be deemed acceptable, as it is below the 100A maximum rating.

It should be noted that the preferred method to provide the above would be to terminate the LSF Split Concentric into a 7 way Multi-Service Distribution Board (MSDB), or to install a compact 7 way MSDB above the three-phase cut-out, as this allows the flat and landlord fusing to be backed up by additional, suitably sized fuse units.

### 3.5 Bunching Service Cables

Standard split-phase, two phase and, in some cases, single-phase arrangements require the cores of three-phase cables to be bunched together. It can also be helpful to bunch cores together to reduce voltage drop on long single-phase services. In order to minimise the risk of confusion the following steps shall be taken:

- Bunching is normally only allowed above ground (i.e. where the connections can be visually inspected, for example at pole terminations and cut-outs. The only exception is for split phase and two phase connections where a service cable is jointed to a mains cable that only has two phase conductors (i.e. a 2 core combined neutral and earth cable or a 3 core separate and neutral cable).
- Bunching shall be noted on WPDs maps.
- Incoming cables shall always be terminated colour true at each cut-out. Additional, adequately rated loops (between the bottom cut-out terminals) shall be installed where bunching is required.

A typical arrangement for the termination of a three-phase service cable into a single-phase cut-out (e.g. to reduce voltage drop over a long single-phase service) is shown in Figure 5L.

### 3.6 Earthing

For each arrangement described, diagrams show PME, SNE and direct earthing arrangements. PME earthing is preferred where this can be provided economically and safely.

A suitable label (PME, SNE, SNE derived from CNE main or direct earthing) shall be placed in a prominent position close to the cut-out. Standard labels are given below and can be ordered using the order form available from the Corporate Print section of the Purchasing Catalogue.

**WESTERN POWER DISTRIBUTION**  
*Serving the South West and Wales*

The earthing facility provided with this supply is **PME (TN-C-S)**.

**DO NOT** connect the earthing conductor to this terminal unless the installation fully complies with the PME requirements of BS 7671 (IET Wiring Regulations).

**PME Label**  
(WPD Ref. 400133)

**WESTERN POWER DISTRIBUTION**  
*Serving the South West and Wales*

The earthing facility provided with this supply is **SNE, Cable Sheath Earth (TN-S)**.

**DO NOT** connect the earthing conductor to this terminal unless the installation fully complies with the TN-S requirements of BS 7671 (IET Wiring Regulations).

**SNE / Cable Sheath Earth Label**  
(WPD Ref. 400171)

**WESTERN POWER DISTRIBUTION**  
*Serving the South West and Wales*

The earthing facility provided with this supply is **SNE (TN-S) derived from a CNE (TN-C-S) network**.

**DO NOT** connect the customer earthing conductor to this terminal unless the installation fully complies with the PME (TN-C-S) requirements of BS 7671 (IET Wiring Regulations).

**SNE From CNE Main Earth Label**  
(WPD Ref. 400134)

**WESTERN POWER DISTRIBUTION**  
*Serving the South West and Wales*

Western Power Distribution **DO NOT** provide an earth terminal with this supply.

The installation is TT type to BS 7671 (IET Wiring Regulations)

**Direct Earthing Label**  
(WPD Ref. 400188)

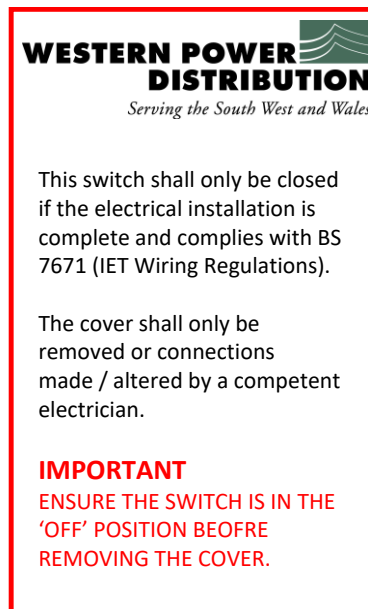
### 3.7 Isolation Switches

WPD shall not normally provide an isolator switch for new connections but, on request from a customer, may install them post-installation. It should, however, be noted that this service should ideally be provided by the customer's Supplier / Meter Operator.

Isolation switches are sometimes installed by WPD at existing installations at the request of the customer (for example, if we are requested to temporarily de-energise a connection).

The switch is inserted between the meters and the customer's equipment and isolates both phase and neutral. The isolation switch must not, under any circumstances be placed between the service cable and the customer's cut-out.

The following label, which can be ordered from the Corporate Printing section of the Purchasing Catalogue shall be placed in a prominent position close to the isolation switch:



**Isolation Switch Label  
(WPD Ref. 400006)**

Three types of isolation switch are available as follows:

- 2 pole 100A isolator for standard single-phase connections.
- 4 pole 100A isolator for off peak (e.g. economy 7) connections.
- 4 PLE 100A isolator for standard 3 phase connections.

The correct isolation switch (i.e. with appropriate terminal labelling) shall be installed for the application. Where a switch is fitted, it is essential that it disconnects all supplies at the exit point. For example, it is not acceptable to fit an isolation switch for the restricted (off peak) load only. Where all the supplies cannot be controlled by a single isolation switch it is acceptable to fit additional switches as long as they are all placed in close proximity to each other and they are clearly labelled (to identify their individual functions).

A Photograph of a single-phase and three-phase isolation switch is provided in Figure 7 and typical application is drawn in Figure 8.

### 3.8 Service / Meter Positions

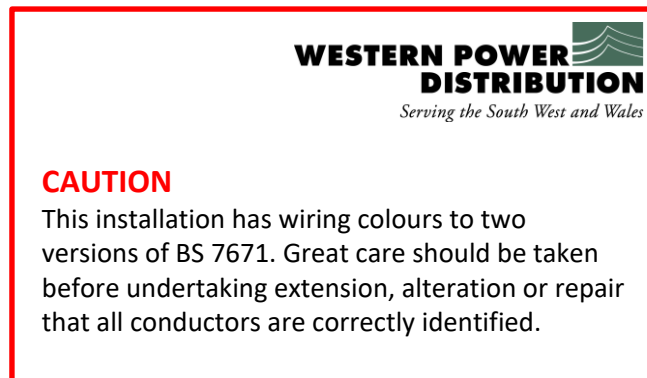
For domestic installations external meter cabinets are preferred.

Where cut-outs, multi-service distribution boards and/or metering installed within a building the installation should satisfy the following requirements:

- a) Height of Equipment:  
The installation must not be too low or too high. The Meter Operator Code of Practice Agreement (MOCOPA) requires the cut-out and meter to be placed between 500mm and 1800mm above floor/ground level.
- b) Access:  
The installation must be easily accessible and free from obstructions. Access routes must be kept clear and be well lit.
- c) Space:  
Sufficient space shall be provided to allow for WPDs equipment, the metering to be easily installed, maintained and replaced. For connections derived from single-phase or three-phase 100A cut-outs, wall space of 600mm high x 400mm wide, dedicated to WPD's cut-out, the metering equipment and a small isolation switch, should be provided. In addition there should be at least 1m of space in front of the equipment to allow a person to work comfortably.  
  
Space requirements for heavy duty cut-outs, moulded case circuit breakers and CT metering are specified in ST: SD5E and, for multi-service distribution boards, multi-occupancy buildings are defined in ST: SD5C.
- d) Environment:  
The environment must be weather proof, dry, free from heavy condensation, fairly cool (normally between 5°C and 20°C and in no circumstances above 30°C) and adequately ventilated. There must be no significant heat sources in the vicinity that could overheat the equipment. For example, it is not acceptable to install meters in a warm airing cupboard.
- e) Proximity to Water:  
Sources of water (e.g. taps, sink) must be kept well away from the installation to prevent water splashing the equipment or people with wet hands touching it. Cut-outs, meters and distribution boards shall not be installed within bathrooms, shower rooms, saunas or steam rooms.
- f) Proximity to Gas:  
Gas meters and pipes may be installed within the same room or enclosure as long as there is at least: 300mm between the electrical installation and the gas meter; and 25mm between the electrical installation and the gas pipes. The distance between the gas and electricity meters may be ignored where they are each placed within separate meter cabinets.
- g) Vulnerability to Damage:  
Equipment must not be placed where it may be exposed to accidental damage or vandalism.
- h) Fixing Arrangements:  
The wall on which Western Power Distribution's equipment and the meter operator's equipment is to be fixed shall be suitable for fixing / supporting the weight of this equipment. The customer / developer shall install suitable boarding (e.g. chipboard or plywood) to the back wall of the service / metering area so that meters and cut-outs can be screwed to this boarding.

### 3.9 Harmonised Phase Colours

At new and substantially modified connections, WPD shall fix the following label in a prominent position, near to the cut-out, where the installation uses a mixture of old and new phase colours. This label is available via the Corporate Print section of the Purchasing Catalogue.



**Label for Installations with Mixed Wiring Colours (WPD Ref. 400166)**

In addition the incoming supply cables shall be marked as follows:

#### Single-phase Cables

- Phase (brown or red) marked as L
- Neutral (blue or black) marked as N

#### Three-phase cables

- Phase 1 (brown or red) marked as L1
- Phase 2 (black or yellow) marked as L2
- Phase 3 (grey or blue) marked as L3
- Neutral conductor (blue or black) marked as N

Suitable tapes are available via E5.

### 3.10 Mains Cable Entry Requirements

General installation data for Western Power Distribution low voltage cables are given in Table 1, below. Cable de-rating factors are specified in ST: SD8B.

Figure 9 and 10 show two cable entry methods for Wavecon cable, one using a draw pit and another using a duct with a slow bend. The slow bend duct option is only suitable for 95mm<sup>2</sup> Wavecon cables.

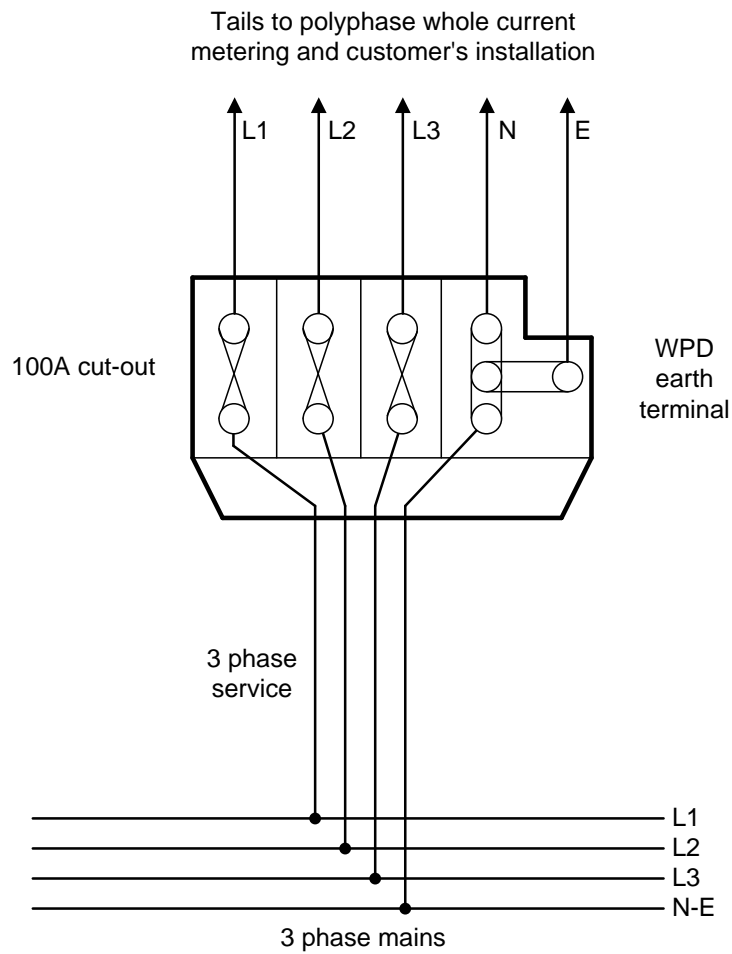
**Table 1 Western Power Distribution Cable Installation Data**

Cable Type	Minimum Bending Radius (mm)	
	Single Phase	3 Phase
<b>Service Cables:</b>		
16mm <sup>2</sup> Copper Concentric	100	200
25mm <sup>2</sup> Copper Concentric	125	200
35mm <sup>2</sup> Copper Concentric	160	-
25mm <sup>2</sup> Hybrid	125	200
35mm <sup>2</sup> Hybrid	135	250
16mm <sup>2</sup> Copper Split Conc.	125	-
25mm <sup>2</sup> Copper Split Conc.	150	250
<b>Mains Cables:</b>		
95mm <sup>2</sup> Wavecon (3 core)	-	550
185mm <sup>2</sup> Wavecon (3 core)	-	700
300mm <sup>2</sup> Wavecon (3 core)	-	850
95mm <sup>2</sup> Wavecon (4 core)	-	600
185mm <sup>2</sup> Wavecon (4 core)	-	800
300mm <sup>2</sup> Wavecon (4 core)	-	1000



**FIGURE 1A**

**Three-phase PME Connection Arrangement;  
maximum load is normally limited to 80A per phase**

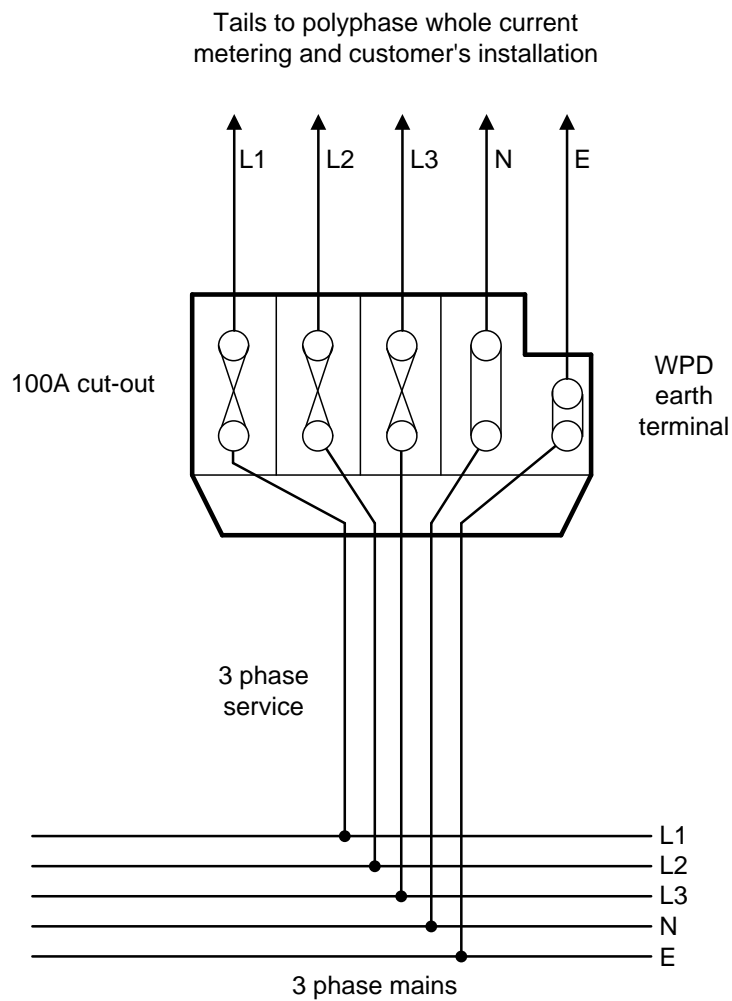


**Notes:**

- 1) Maximum cut-out fuse size is normally 80A;
- 2) Cut-out fuse size and maximum load may be increased to 100A if conditions in 3.1.2 are satisfied;
- 3) Service cable must have a continuous rating above the cut-out fuse size;
- 4) PME label shall be placed adjacent to cut-out.

**FIGURE 1B**

**Three-phase SNE Connection Arrangement;  
maximum load is normally limited to 80A per phase**

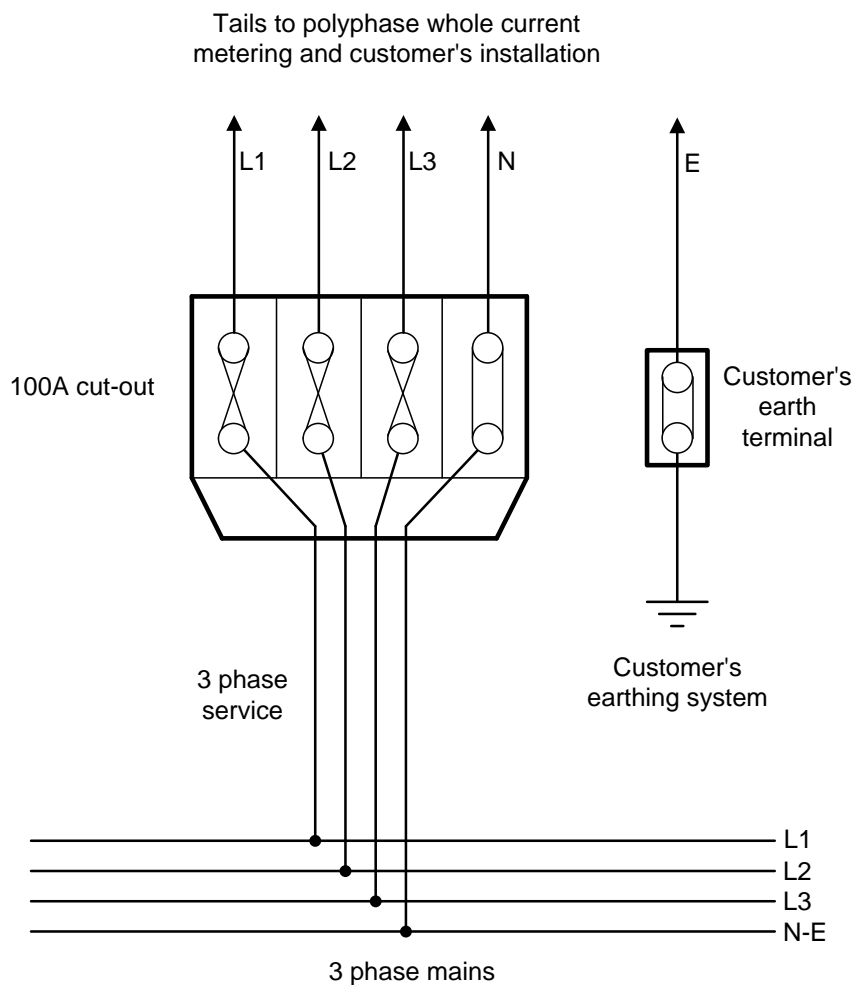


**Notes:**

- 1) Maximum cut-out fuse size is normally 80A;
- 2) Cut-out fuse size and maximum load may be increased to 100A if conditions in 3.1.2 are satisfied;
- 3) Service cable must have a continuous rating above the cut-out fuse rating;
- 4) SNE label shall be placed adjacent to cut-out.

**FIGURE 1C**

**Three-phase Directly Earthed Connection Arrangement;  
maximum load is normally limited to 80A per phase**

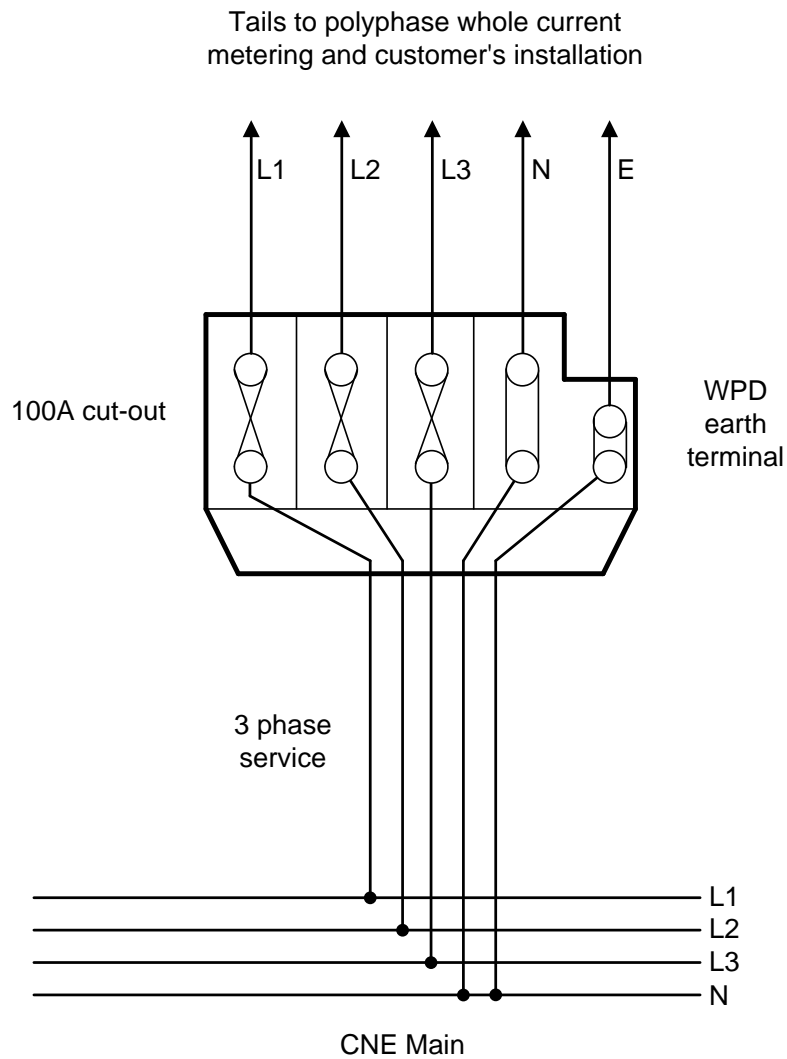


**Notes:**

- 1) Maximum cut-out fuse size is normally 80A;
- 2) Cut-out fuse size and maximum load may be increased to 100A if conditions in 3.1.2 are satisfied;
- 3) Service cable must have a continuous rating above the cut-out fuse rating;
- 4) Customer provides own earthing system and earthing terminal;
- 5) A direct earthing label shall be placed adjacent to cut-out.

FIGURE 1D

**Three-phase SNE from CNE main Connection Arrangement;  
maximum load is normally limited to 80A per phase**

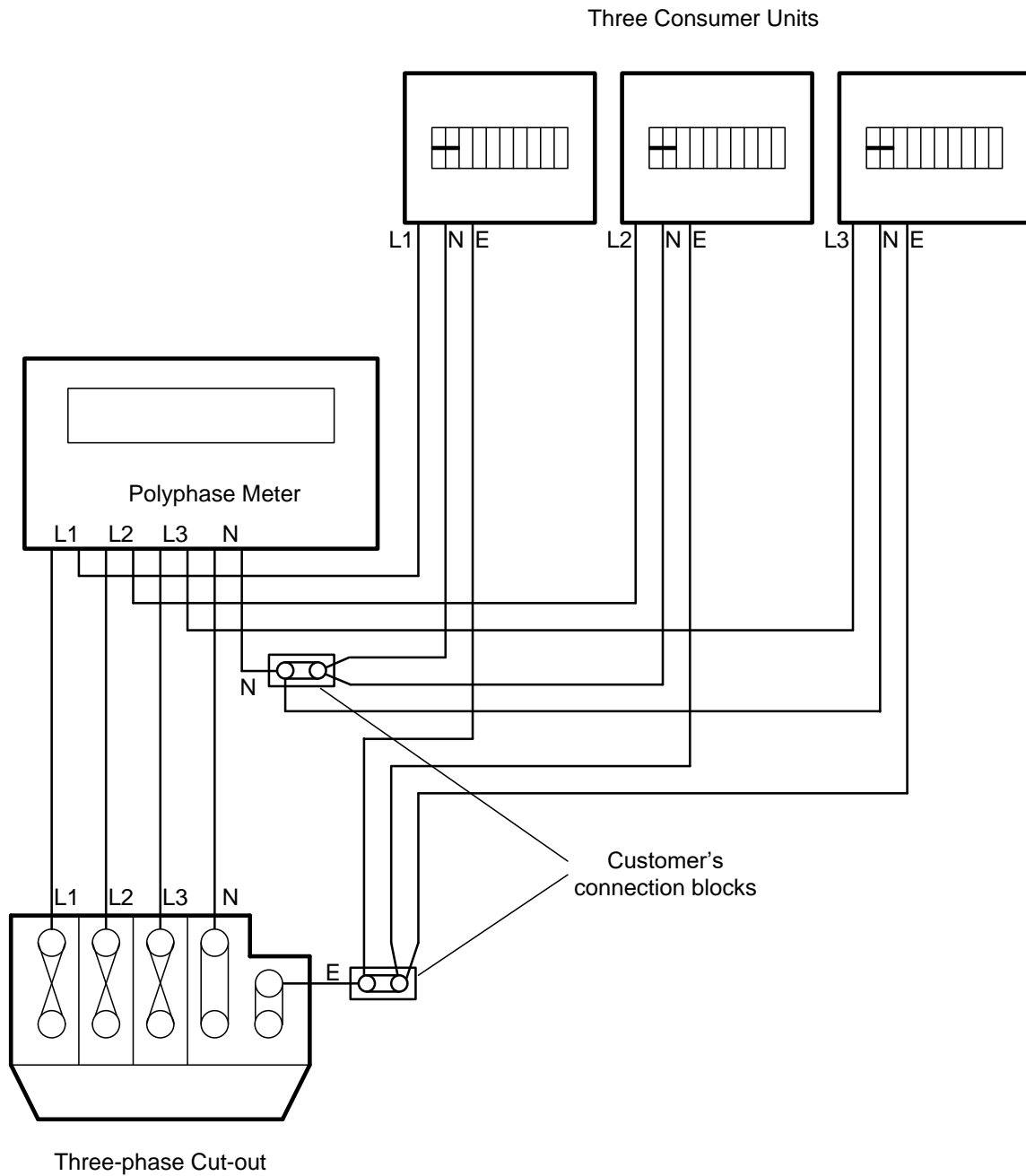


**Notes:**

- 1) Maximum cut-out fuse size is normally 80A;
- 2) Cut-out fuse size and maximum load may be increased to 100A if conditions in 3.1.2 are satisfied;
- 3) Service cable must have a continuous rating above the cut-out fuse rating;
- 4) SNE from CNE main label shall be placed adjacent to cut-out.

**FIGURE 1E**

**Typical Metering / Customer Arrangement;  
Three-phase connection with poly-phase metering and with a maximum  
load normally limited to 80A per phase**

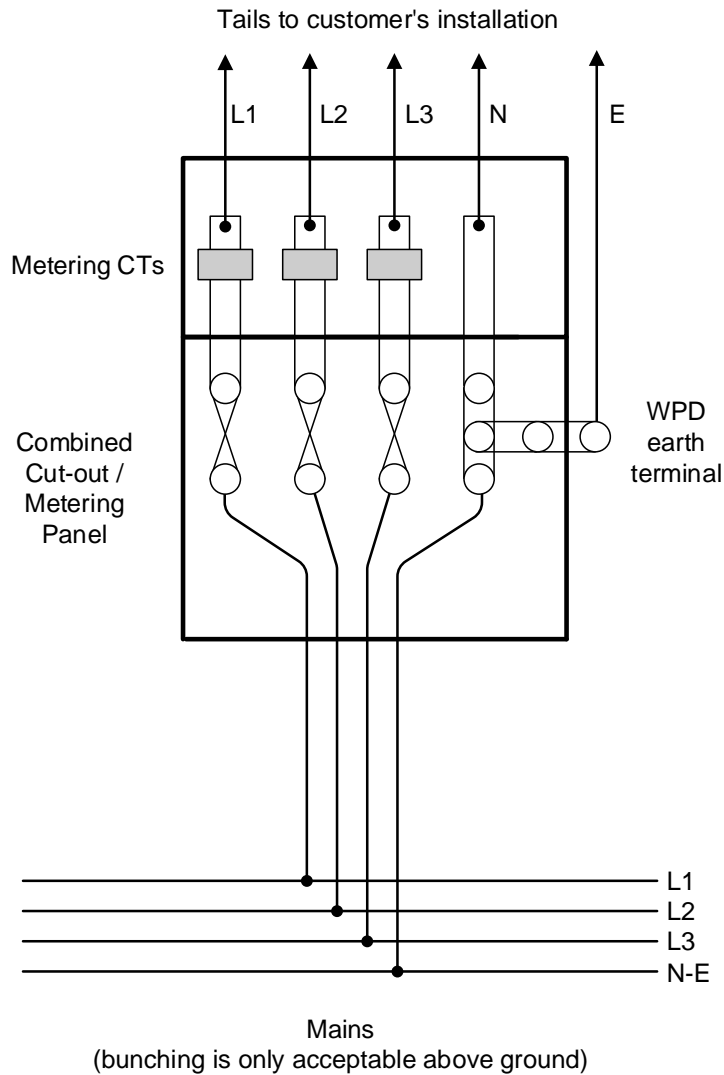


**Notes:**

- 1) The above arrangement utilising three consumer units is only suitable if all the load is single-phase. If a multiphase load is installed (e.g. three-phase motor) the tails must be terminated in a three-phase main switch so that all phases are switched together.

FIGURE 2A

Three-phase PME Connection Arrangement;  
loads above 80A per phase

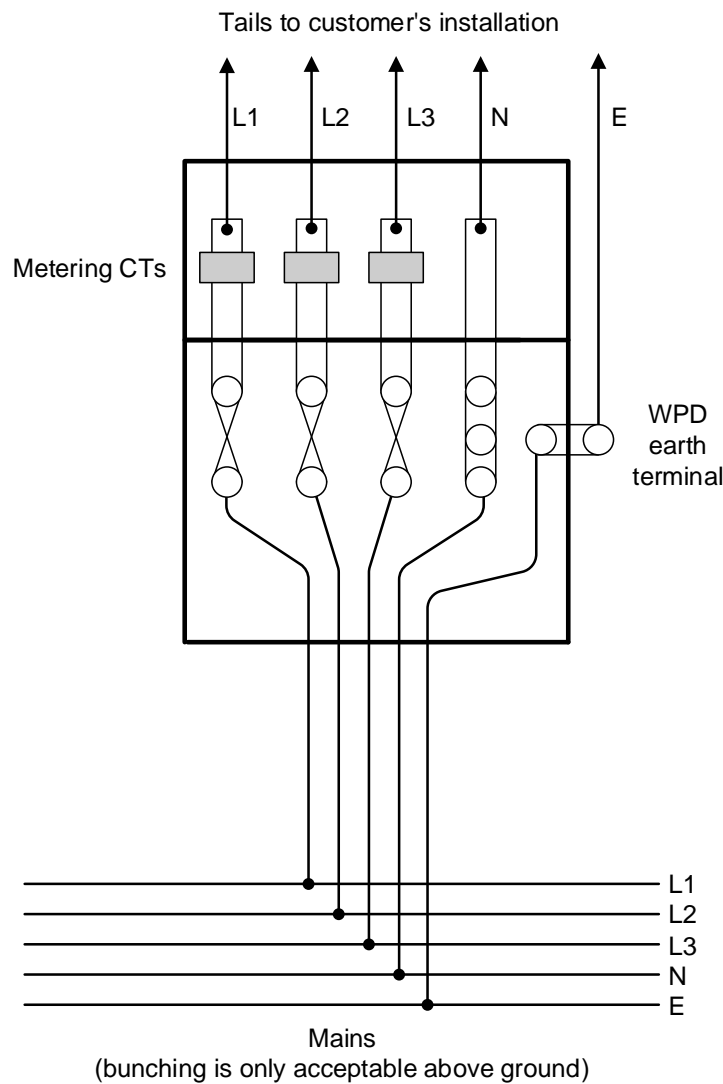


Notes:

- 1) Drawing is based on a combined cut-out / CT metering panel;
- 2) Polyphase whole current metering may be used for loads up to 100A per phase. CT metering (as shown above) is required for loads over 100A per phase;
- 3) Incoming cable and meter tails must have a continuous rating above the cut-out fuse rating;
- 4) PME label shall be placed adjacent to cut-out.

**FIGURE 2B**

**Three-phase SNE Connection Arrangement;  
loads above 80A per phase**

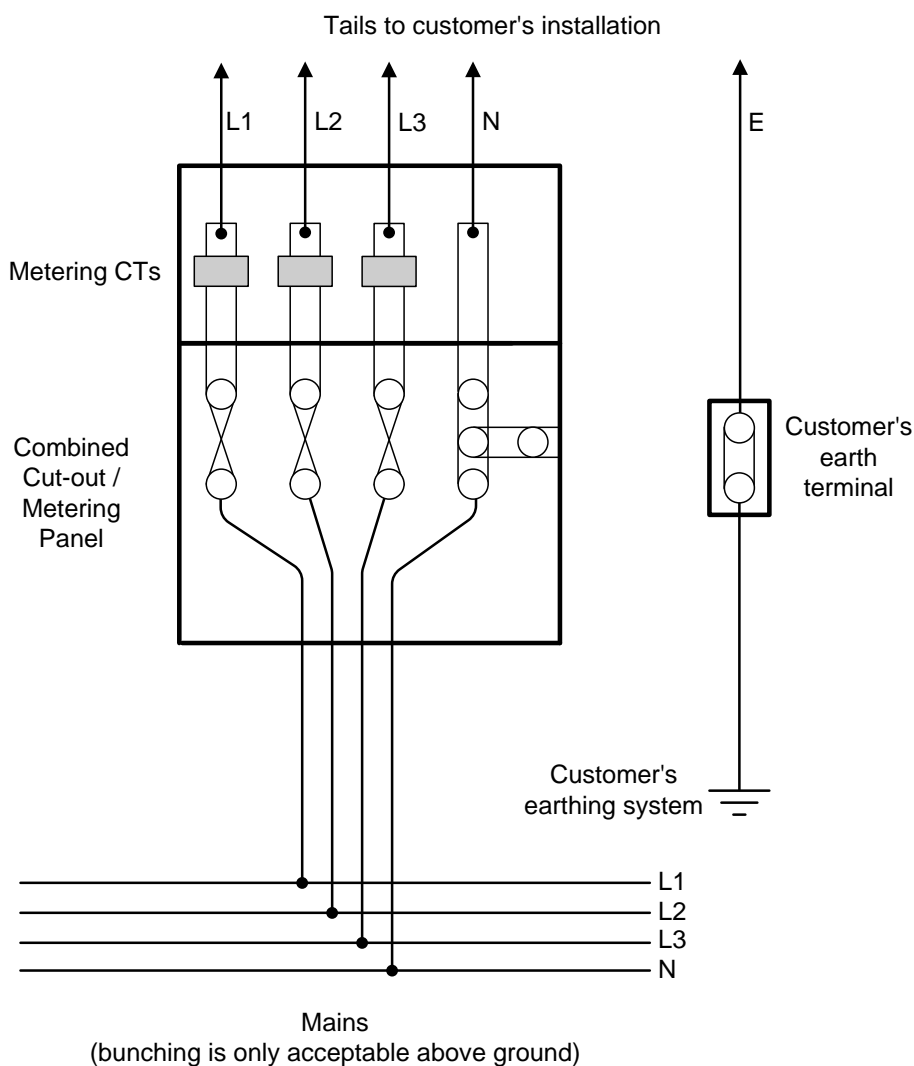


**Notes:**

- 1) Drawing is based on a combined cut-out / CT metering panel;
- 2) Polyphase whole current metering may be used for loads up to 100A per phase. CT metering (as shown above) is required for loads over 100A per phase;
- 3) Incoming cable and meter tails must have a continuous rating above the cut-out fuse rating;
- 4) SNE label shall be placed adjacent to cut-out.

FIGURE 2C

Three-phase Directly Earthed Connection Arrangement;  
loads above 80A per phase



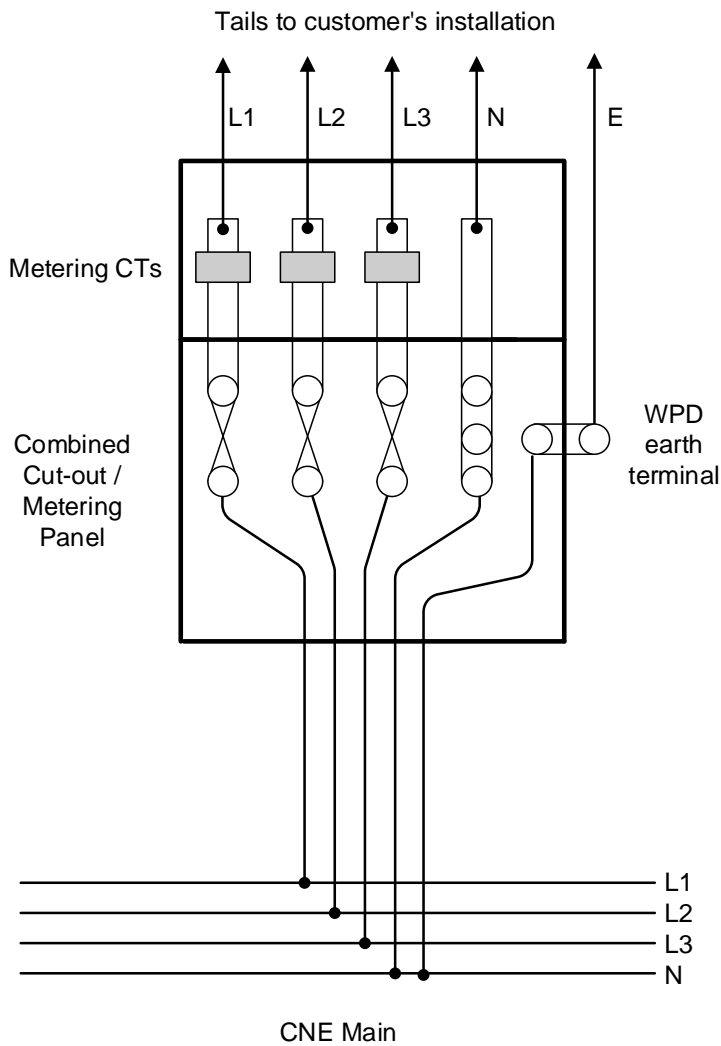
Notes:

- 1) Drawing is based on a combined cut-out / CT metering panel;
- 2) Polyphase whole current metering may be used for loads up to 100A per phase. CT metering (as shown above) is required for loads over 100A per phase;
- 3) Incoming cable and meter tails must have a continuous rating above the cut-out fuse rating;
- 4) Customer provides own earthing system and earthing terminal;
- 5) A direct earthing label shall be placed adjacent to cut-out.



FIGURE 2D

Three-phase SNE from CNE main Connection Arrangement;  
loads above 80A per phase

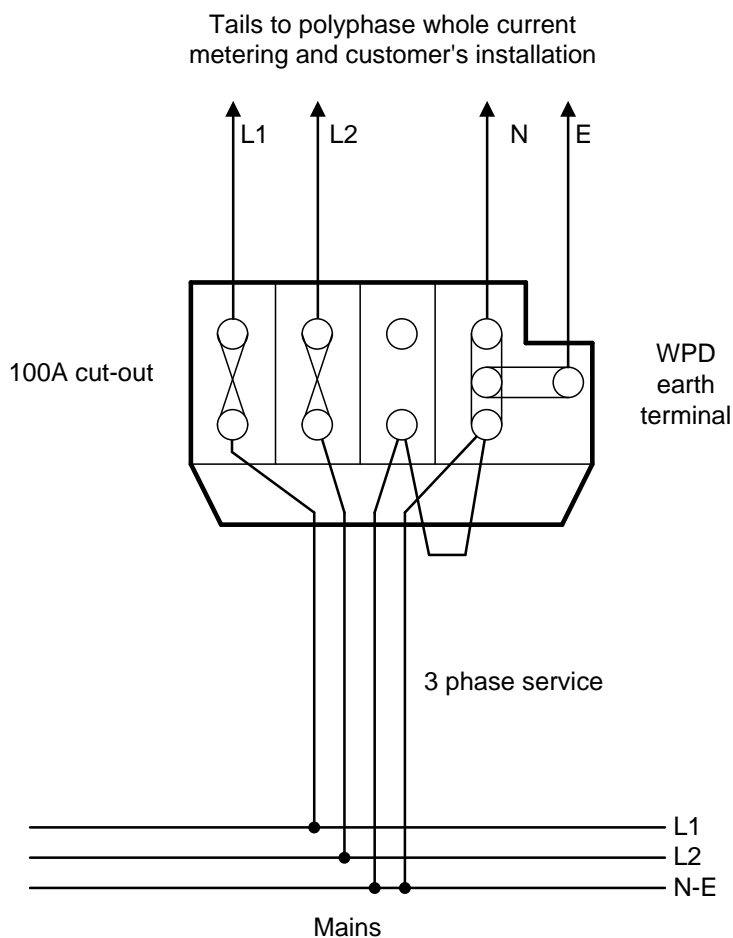


Notes:

- 1) Drawing is based on a combined cut-out / CT metering panel;
- 2) Polyphase whole current metering may be used for loads up to 100A per phase. CT metering (as shown above) is required for loads over 100A per phase;
- 3) Incoming cable and meter tails must have a continuous rating above the cut-out fuse rating;
- 4) SNE from CNE main label shall be placed adjacent to cut-out.

**FIGURE 3A**

**Split-phase or Two-phase PME Connection Arrangement;  
maximum load is normally limited to 80A per phase**

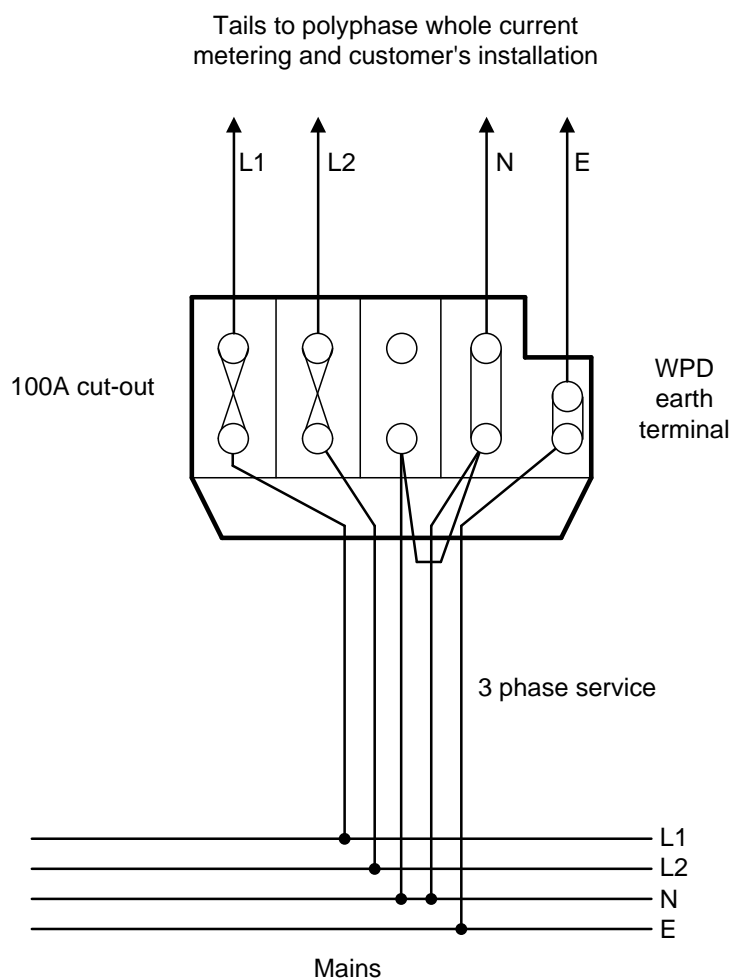


**Notes:**

- 1) Maximum cut-out fuse size is normally 80A.
- 2) Cut-out fuse size and maximum load may be increased to 100A if conditions in 3.2.2 are satisfied;
- 3) A sign shall be placed at cut-out position reading "Warning this installation is not compatible with three-phase equipment".
- 4) Service cable must have a continuous rating above the associated cut-out fuse rating.
- 5) The third core of the service cable is bunched with the neutral to minimise loop impedance. 25mm<sup>2</sup> copper PVC/PVC cable is used to connect these cores together at the cut-out. Where the mains cable only has two phase conductors the third core and neutral of the service cable may be bunched in the service joint. In all other cases bunching may only be carried out above ground.
- 6) A PME label shall be placed adjacent to cut-out.
- 7) Fuse carrier (with a dummy fuse inserted) shall be inserted in the spare fuse-way.

**FIGURE 3B**

**Split-phase or Two-phase SNE Connection Arrangement;  
maximum load is normally limited to 80A per phase**

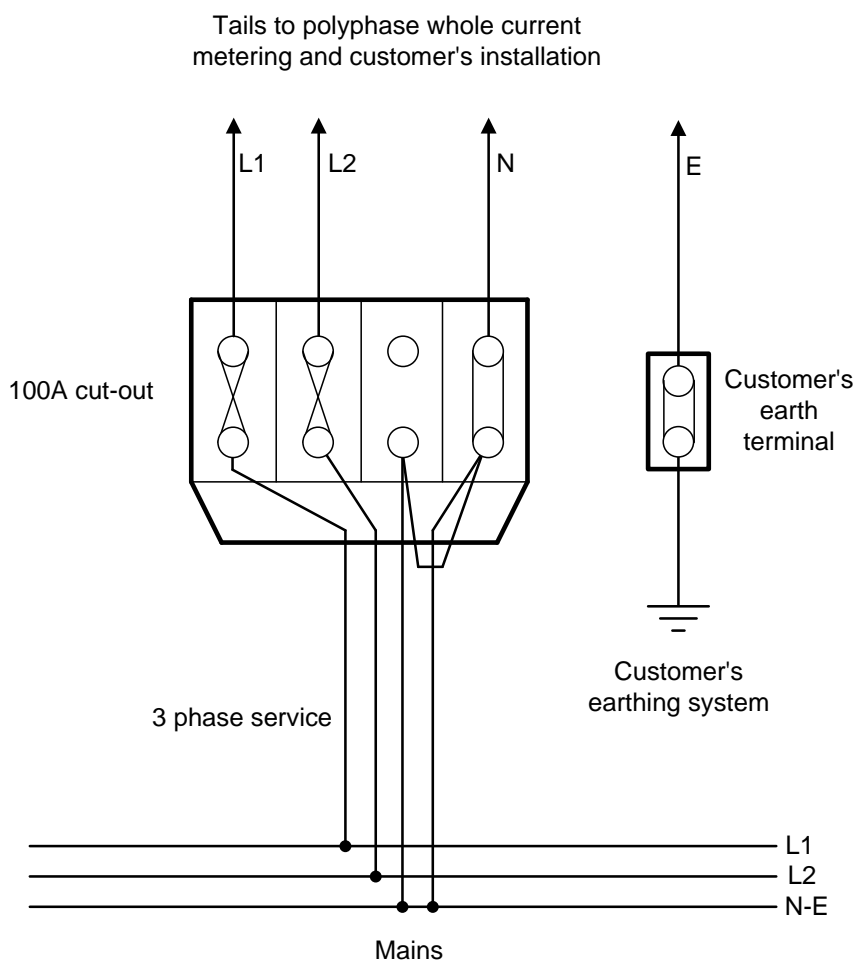


**Notes:**

- 1) Maximum cut-out fuse size is normally 80A.
- 2) Cut-out fuse size and maximum load may be increased to 100A if conditions in 3.2.2 are satisfied.
- 3) A label shall be placed at cut-out position reading "Warning this installation is not compatible with three-phase equipment".
- 4) Service cable and meter tails must have a continuous rating above the cut-out fuse rating.
- 5) The third core of the service cable is bunched with the neutral to minimise loop impedance. 25mm<sup>2</sup> copper PVC/PVC cable is used to connect these cores together at the cut-out. Where the mains cable only has two phase conductors the third core and neutral of the service cable may be bunched in the service joint. In all other cases bunching may only be carried out above ground.
- 6) A SNE label shall be placed adjacent to cut-out.
- 7) Fuse carrier (with a dummy fuse inserted) shall be inserted in the spare fuse-way.

**FIGURE 3C**

**Split-phase or Two-phase Directly Earthed Connection Arrangement;  
maximum load is normally limited to 80A per phase**

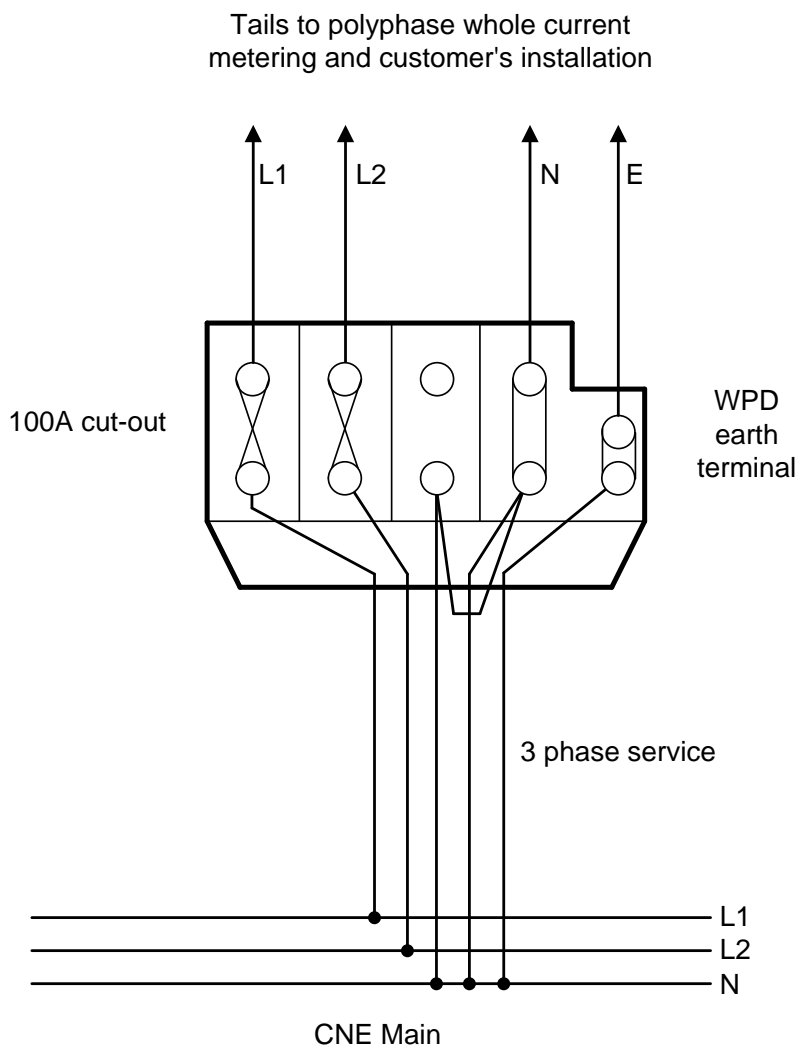


**Notes:**

- 1) Maximum cut-out fuse size is normally 80A;
- 2) Cut-out fuse size and maximum load may be increased to 100A if conditions in 3.2.2 are satisfied;
- 3) A sign shall be placed at cut-out position reading "Warning this installation is not compatible with three-phase equipment";
- 4) Service cable and meter tails must have a continuous rating above the associated cut-out fuse rating;
- 5) The third core of the service cable is bunched with the neutral to minimise loop impedance. 25mm<sup>2</sup> copper PVC/PVC cable is used to connect these cores together at the cut-out. Where the mains cable only has two phase conductors the third core and neutral of the service cable may be bunched in the service joint. In all other cases bunching may only be carried out above ground;
- 6) Customer provides own earthing system and earthing terminal;
- 7) A direct earthing label shall be placed adjacent to cut-out;
- 8) Fuse carrier (with a dummy fuse inserted) shall be inserted in the spare fuse-way.

FIGURE 3D

**Split-phase or Two-phase SNE from CNE main Connection Arrangement;  
maximum load is normally limited to 80A per phase**

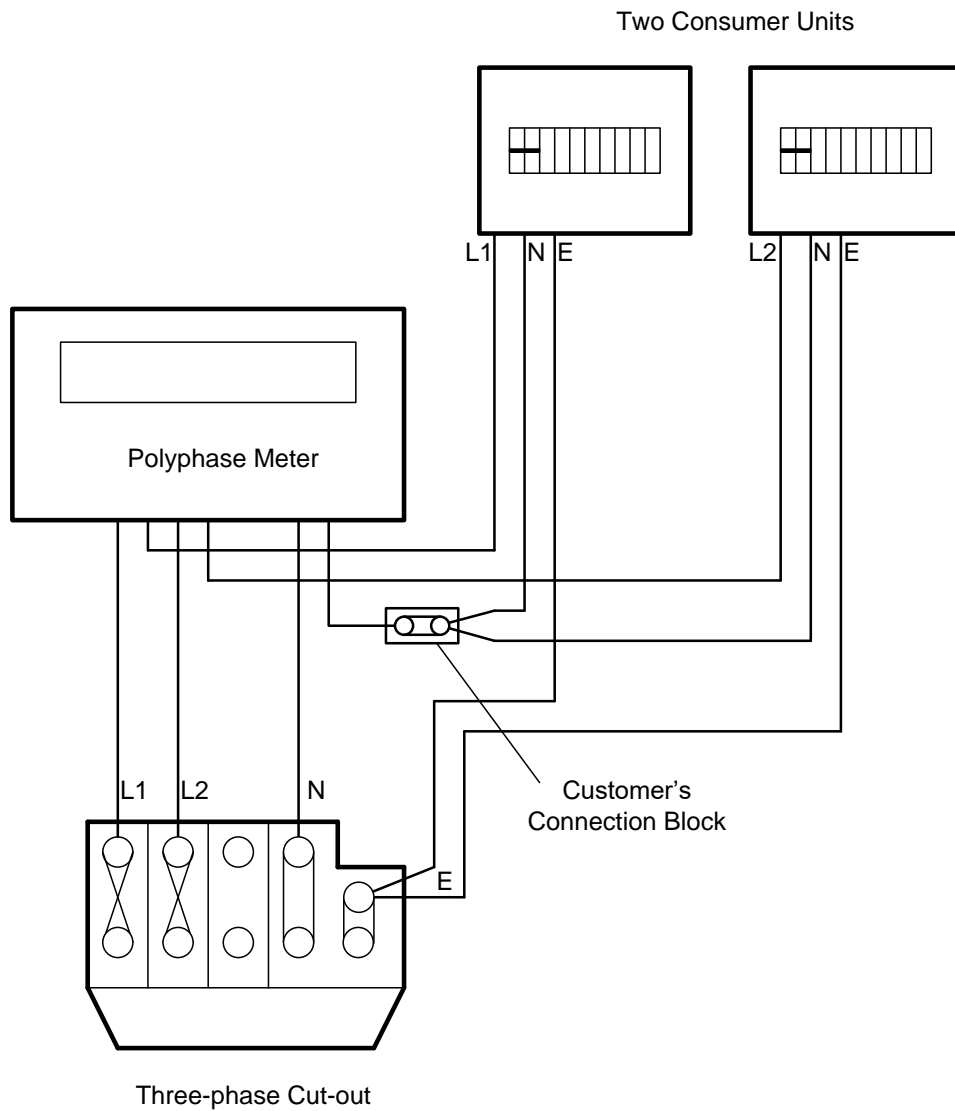


**Notes:**

- 1) Maximum cut-out fuse size is normally 80A.
- 2) Cut-out fuse size and maximum load may be increased to 100A if conditions in 3.2.2 are satisfied.
- 3) A label shall be placed at cut-out position reading "Warning this installation is not compatible with three-phase equipment".
- 4) Service cable and meter tails must have a continuous rating above the cut-out fuse rating.
- 5) The third core of the service cable is bunched with the neutral to minimise loop impedance. 25mm<sup>2</sup> copper PVC/PVC cable is used to connect these cores together at the cut-out. Where the mains cable only has two phase conductors the third core and neutral of the service cable may be bunched in the service joint. In all other cases bunching may only be carried out above ground.
- 6) A SNE from CNE main label shall be placed adjacent to cut-out.
- 7) Fuse carrier (with a dummy fuse inserted) shall be inserted in the spare fuse-way.

FIGURE 3E

Typical Metering / Customer Arrangement;  
split-phase or two-phase connection with poly-phase metering and with a  
maximum load normally limited to 80A per phase

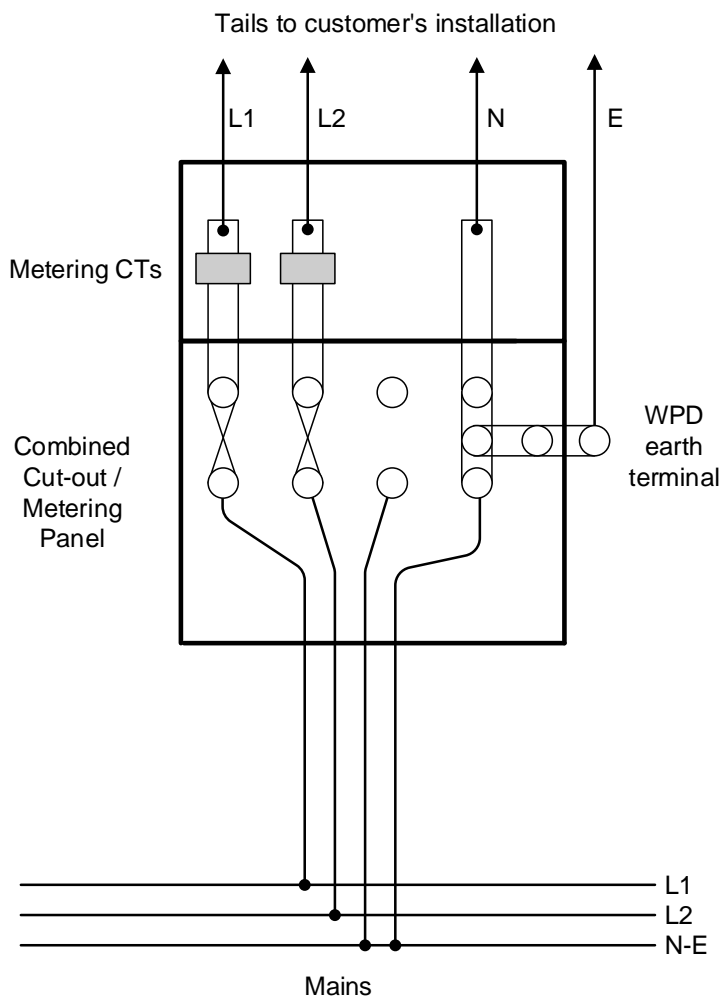


**Notes:**

- 1) The above arrangement utilising two consumer units is only suitable if each item of load is single-phase. If a multi-phase load is installed (e.g. a split-phase motor) the tails must be terminated in a multiphase main switch so that both phases are switched / isolated together;
- 2) Fuse carrier (with a dummy fuse inserted) shall be inserted in the spare fuse-way.

**FIGURE 4A**

**Split-phase PME Connection Arrangement;  
maximum load is above 80A per phase**

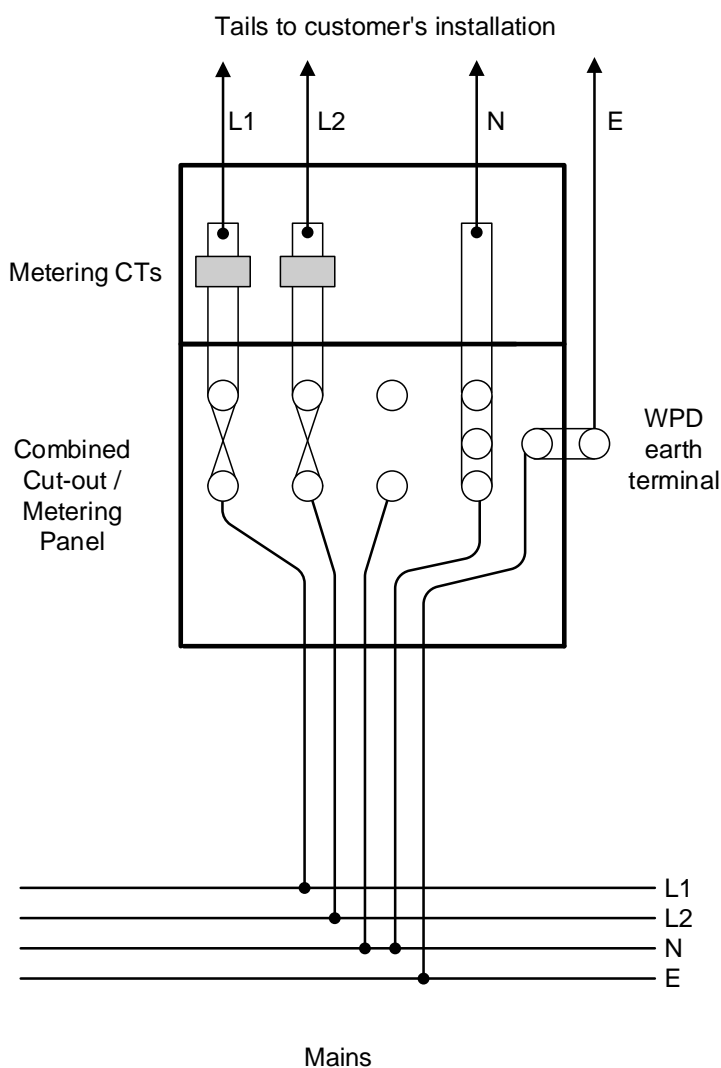


**Notes:**

- 1) Drawing is based on a combined cut-out / CT metering panel;
- 2) Poly-phase whole current metering may be used for loads up to 100A per phase. CT metering is required for loads over 100A per phase;
- 3) Incoming cable and meter tails must have a continuous rating above the cut-out fuse rating;
- 4) Sign to be placed at cut-out position reading "Warning this installation is not compatible with three-phase equipment";
- 5) A PME label shall be placed adjacent to cut-out;
- 6) Spare fuse-way shall be shrouded;
- 7) Where the mains cable only has two phase conductors the third core and neutral of the service cable may be bunched in the service joint. In all other cases bunching may only be carried out above ground.

**FIGURE 4B**

**Split-phase SNE Connection Arrangement;  
maximum load is above 80A per phase**



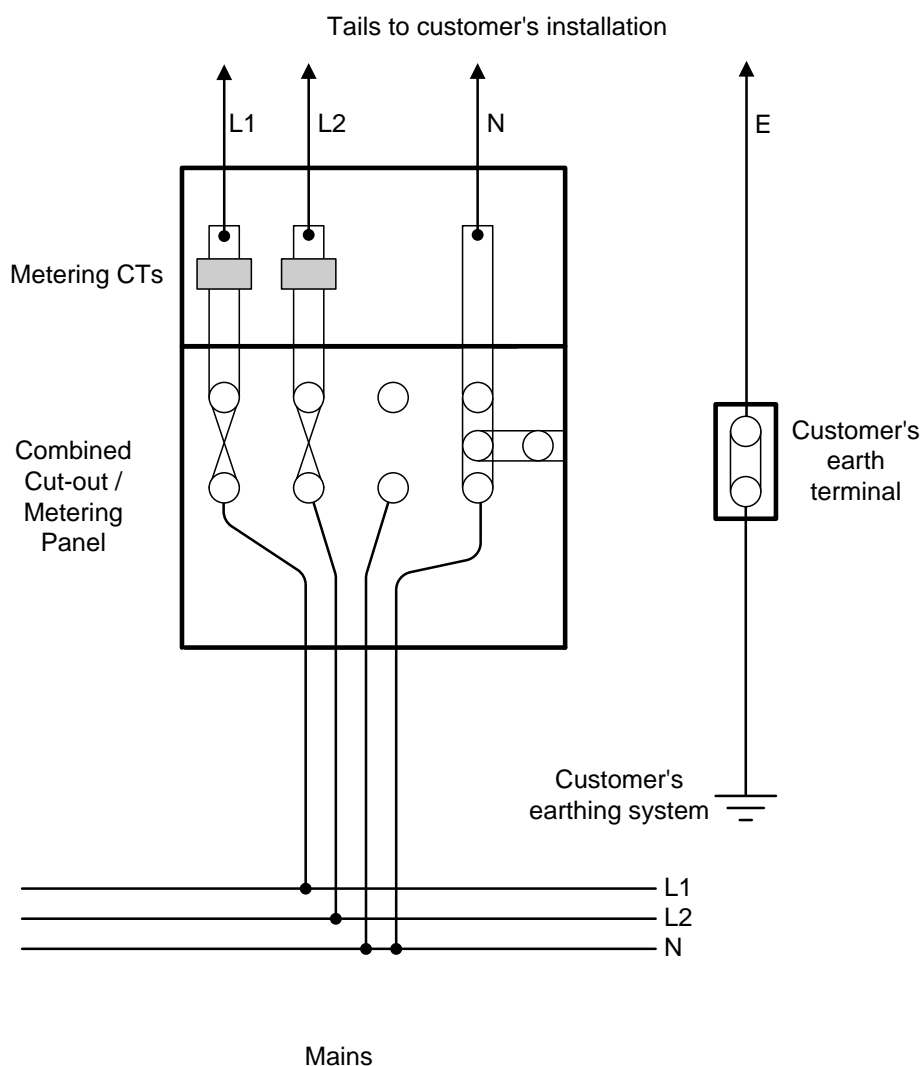
**Notes:**

- 1) Drawing is based on a combined cut-out / CT metering panel;
- 2) Polyphase whole current metering may be used for loads up to 100A per phase. CT metering (as shown above) is required for loads over 100A per phase;
- 3) Incoming cable and meter tails must have a continuous rating above the cut-out fuse rating;
- 4) Sign to be placed at cut-out position reading "Warning this installation is not compatible with three-phase equipment";
- 5) A SNE label shall be placed adjacent to cut-out;
- 6) Spare fuse-way shall be shrouded;
- 7) Where the mains cable only has two phase conductors the third core and neutral of the service cable may be bunched in the service joint. In all other cases bunching must be carried out above ground.



FIGURE 4C

**Split-phase Directly Earthed Connection Arrangement;  
maximum load is above 80A per phase**

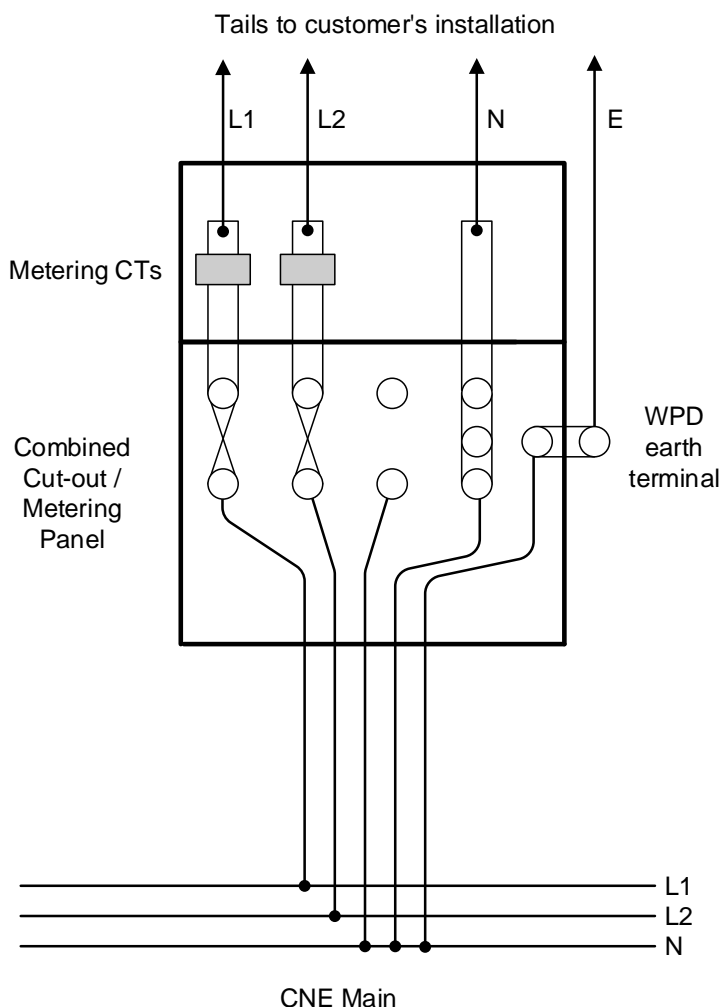


**Notes:**

- 1) Drawing is based on a combined cut-out / CT metering panel;
- 2) Polyphase whole current metering may be used for loads up to 100A per phase. CT metering is required for loads over 100A per phase;
- 3) Incoming cable and meter tails must have a continuous rating above the cut-out fuse rating;
- 4) Sign to be placed at cut-out position reading "Warning this installation is not compatible with three-phase equipment";
- 5) Customer provides own earthing system and earthing terminal;
- 6) A direct earthing label shall be placed adjacent to cut-out;
- 7) Spare fuse-way shall be shrouded;
- 8) Where the mains cable only has two phase conductors the third core and neutral of the service cable may be bunched in the service joint. In all other cases bunching must be carried out above ground.

**FIGURE 4D**

**Split-phase SNE from CNE main Connection Arrangement;  
maximum load is above 80A per phase**

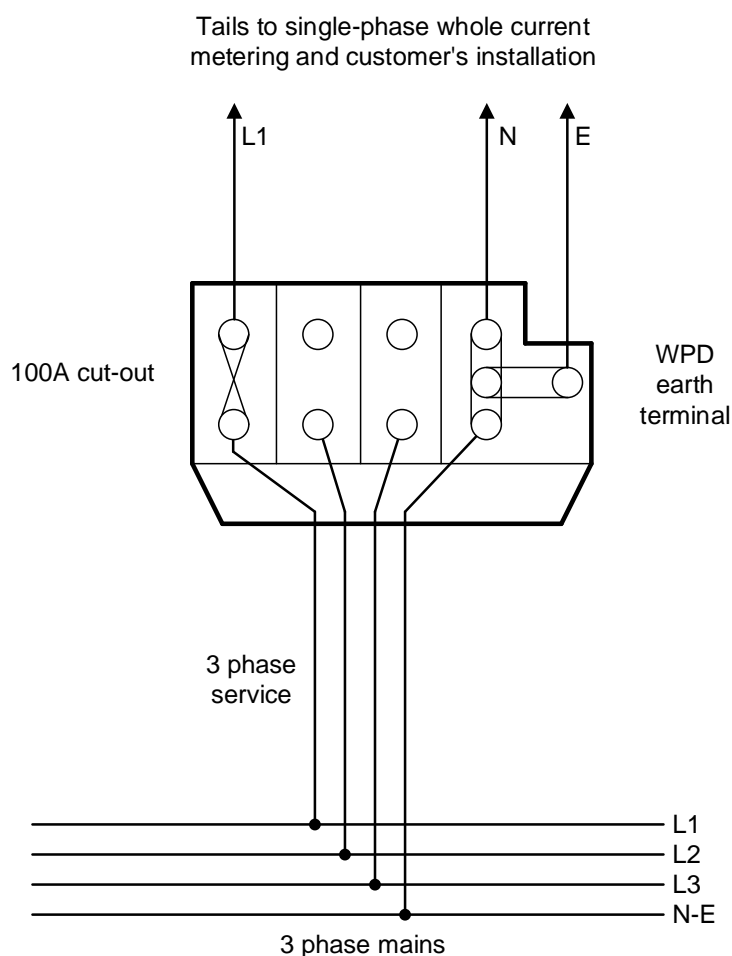


**Notes:**

- 1) Drawing is based on a combined cut-out / CT metering panel;
- 2) Polyphase whole current metering may be used for loads up to 100A per phase. CT metering (as shown above) is required for loads over 100A per phase;
- 3) Incoming cable and meter tails must have a continuous rating above the cut-out fuse rating;
- 4) Sign to be placed at cut-out position reading "Warning this installation is not compatible with three-phase equipment";
- 5) A SNE from CNE main label shall be placed adjacent to cut-out;
- 6) Spare fuse-way shall be shrouded;
- 7) Where the mains cable only has two phase conductors the third core and neutral of the service cable may be bunched in the service joint. In all other cases bunching must be carried out above ground.

FIGURE 5A

**Single-phase PME Connection Arrangement (Three-phase Cut-out);  
maximum load is normally limited to 80A per phase**

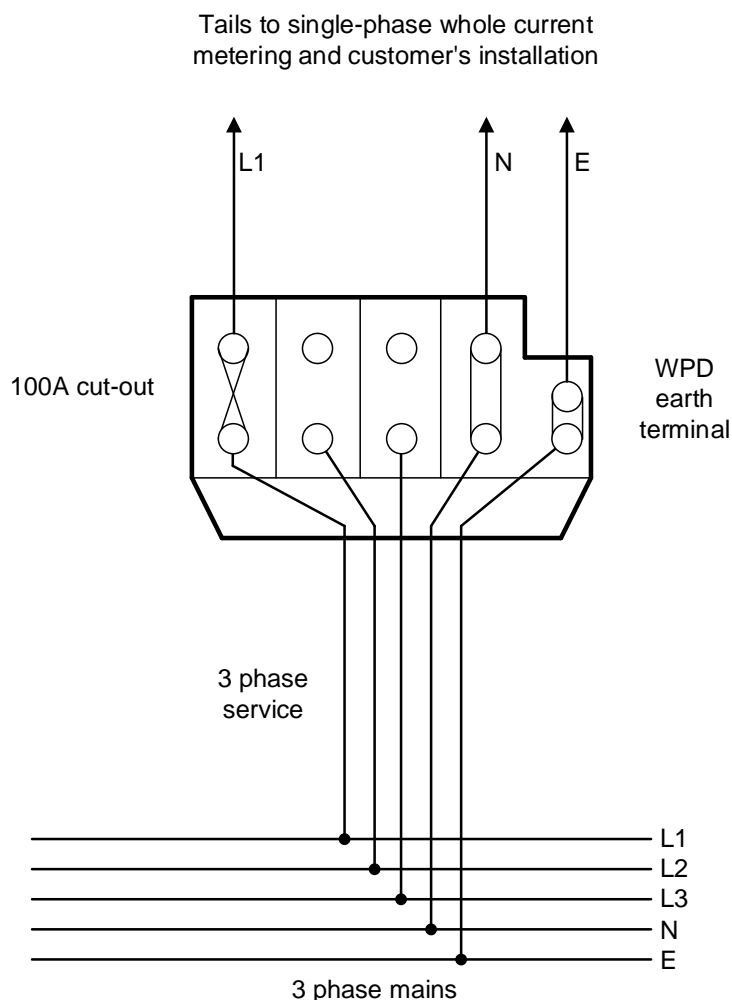


**Notes:**

- 1) Maximum cut-out fuse size is normally 80A;
- 2) Cut-out fuse size and maximum load may be increased to 100A if conditions in 3.3.2 are satisfied;
- 3) Service cable must have a continuous rating above the cut-out fuse size;
- 4) PME label shall be placed adjacent to cut-out;
- 5) A label shall be placed at cut-out position reading "Warning this installation is not compatible with three-phase equipment";
- 6) An appropriate 'Connect to L\*' label (Figure 5K) shall be placed adjacent to cut-out;
- 7) Figure 5A shows a fuse inserted in L1, however, the fuse should be inserted into the phase that has been identified by the designer on the design plan or work instruction;
- 8) Fuse carriers (with a dummy fuses inserted) shall be inserted in the spare fuse-ways.

**FIGURE 5B**

**Single-phase SNE Connection Arrangement (Three-phase Cut-out);  
maximum load is normally limited to 80A per phase**

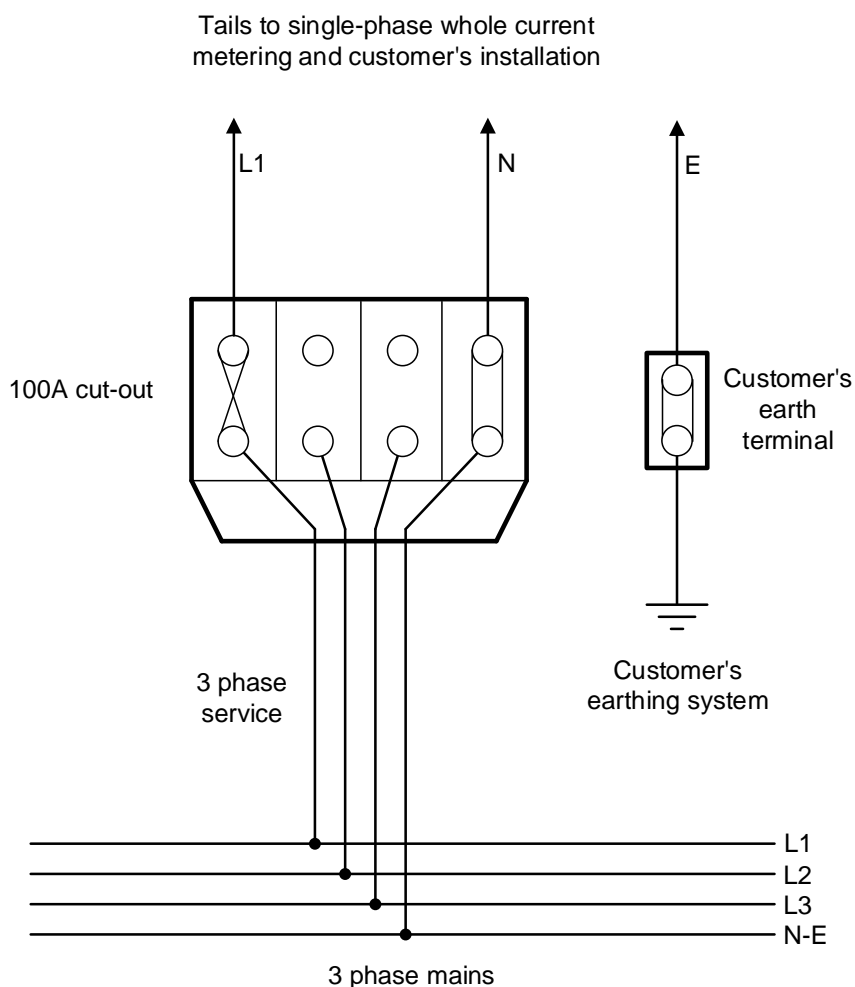


**Notes:**

- 1) Maximum cut-out fuse size is normally 80A;
- 2) Cut-out fuse size and maximum load may be increased to 100A if conditions in 3.3.2 are satisfied;
- 3) Service cable must have a continuous rating above the cut-out fuse rating;
- 4) SNE label shall be placed adjacent to cut-out;
- 5) A label shall be placed at cut-out position reading "Warning this installation is not compatible with three-phase equipment";
- 6) An appropriate 'Connect to L\*' label (Figure 5K) shall be placed adjacent to cut-out;
- 7) Figure 5B shows a fuse inserted in L1, however, the fuse should be inserted into the phase that has been identified by the designer on the design plan or work instruction;
- 8) Fuse carriers (with a dummy fuses inserted) shall be inserted in the spare fuse-ways.

**FIGURE 5C**

**Single-phase Directly Earthed Connection Arrangement (Three-phase Cut-out); maximum load is normally limited to 80A per phase**

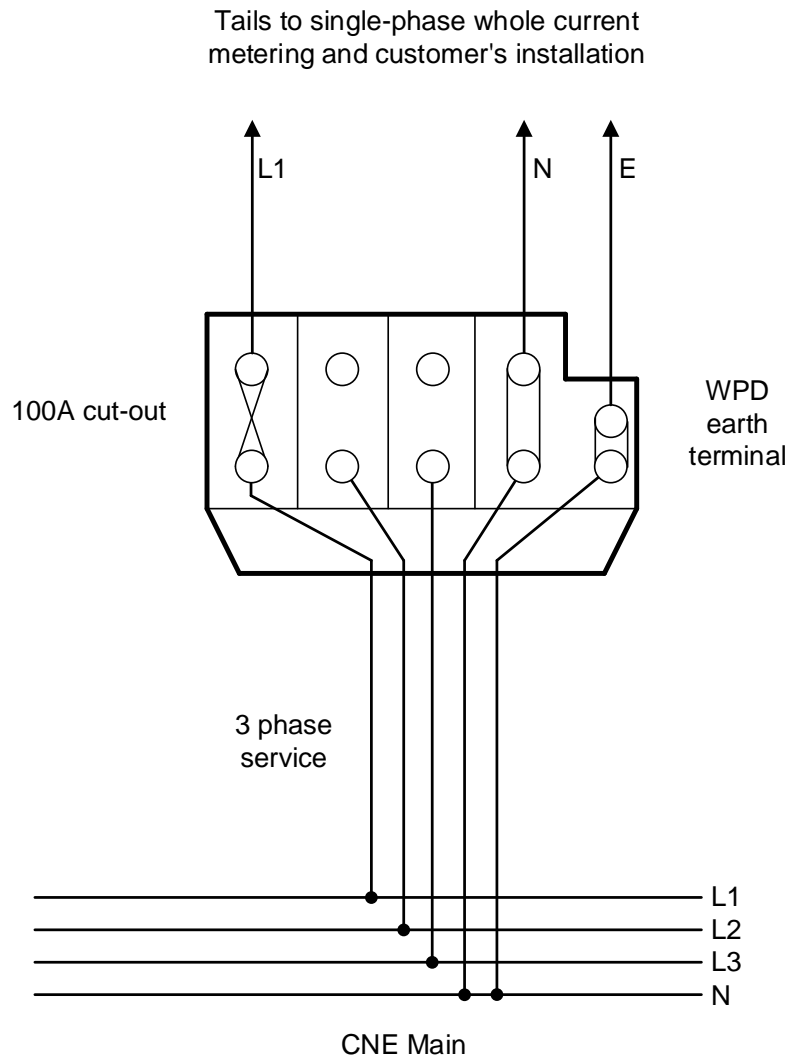


**Notes:**

- 1) Maximum cut-out fuse size is normally 80A;
- 2) Cut-out fuse size and maximum load may be increased to 100A if conditions in 3.3.2 are satisfied;
- 3) Service cable must have a continuous rating above the cut-out fuse rating;
- 4) Customer provides own earthing system and earthing terminal;
- 5) A direct earthing label shall be placed adjacent to cut-out;
- 6) A label shall be placed at cut-out position reading "Warning this installation is not compatible with three-phase equipment";
- 7) An appropriate 'Connect to L\*' label (Figure 5K) shall be placed adjacent to cut-out;
- 8) Figure 5C shows a fuse inserted in L1, however, the fuse should be inserted into the phase that has been identified by the designer on the design plan or work instruction;
- 9) Fuse carriers (with a dummy fuses inserted) shall be inserted in the spare fuse-ways.

**FIGURE 5D**

**Single-phase SNE from CNE main Connection Arrangement (Three-phase Cut-out);  
maximum load is normally limited to 80A per phase**

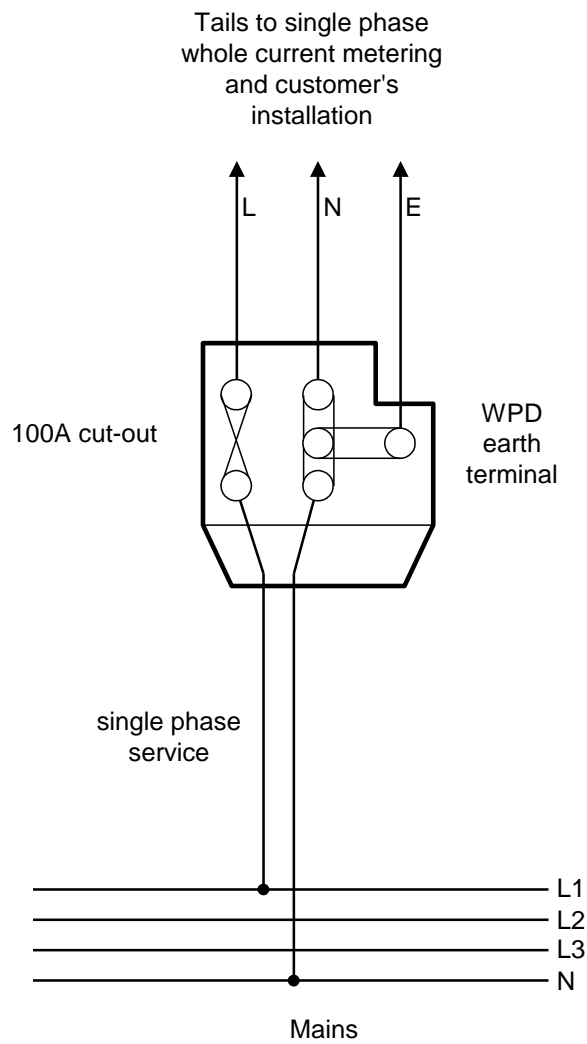


**Notes:**

- 1) Maximum cut-out fuse size is normally 80A;
- 2) Cut-out fuse size and maximum load may be increased to 100A if conditions in 3.3.2 are satisfied;
- 3) Service cable must have a continuous rating above the cut-out fuse rating;
- 4) SNE from CNE main label shall be placed adjacent to cut-out;
- 5) A label shall be placed at cut-out position reading "Warning this installation is not compatible with three-phase equipment";
- 6) An appropriate 'Connect to L\*' label (Figure 5K) shall be placed adjacent to cut-out;
- 7) Figure 5D shows a fuse inserted in L1, however, the fuse should be inserted into the phase that has been identified by the designer on the design plan or work instruction;
- 8) Fuse carriers (with a dummy fuses inserted) shall be inserted in the spare fuse-ways.

FIGURE 5E

**Single-phase PME Connection Arrangement;  
maximum load normally limited to 80A**

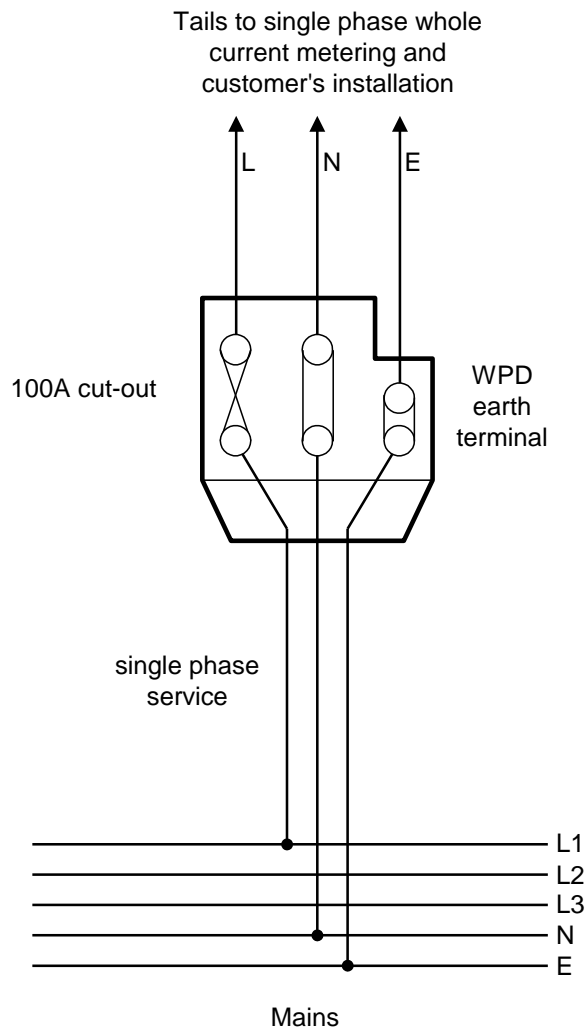


**Notes:**

- 1) Maximum cut-out fuse size is normally 80A;
- 2) Cut-out fuse size may be increased to 100A if the conditions defined in 3.3.2. are satisfied;
- 3) Service cable and meter tails must have continuous rating above cut-out fuse size;
- 4) A PME label shall be placed adjacent to cut-out.

**FIGURE 5F**

**Single-phase SNE Connection Arrangement;  
maximum load normally limited to 80A**



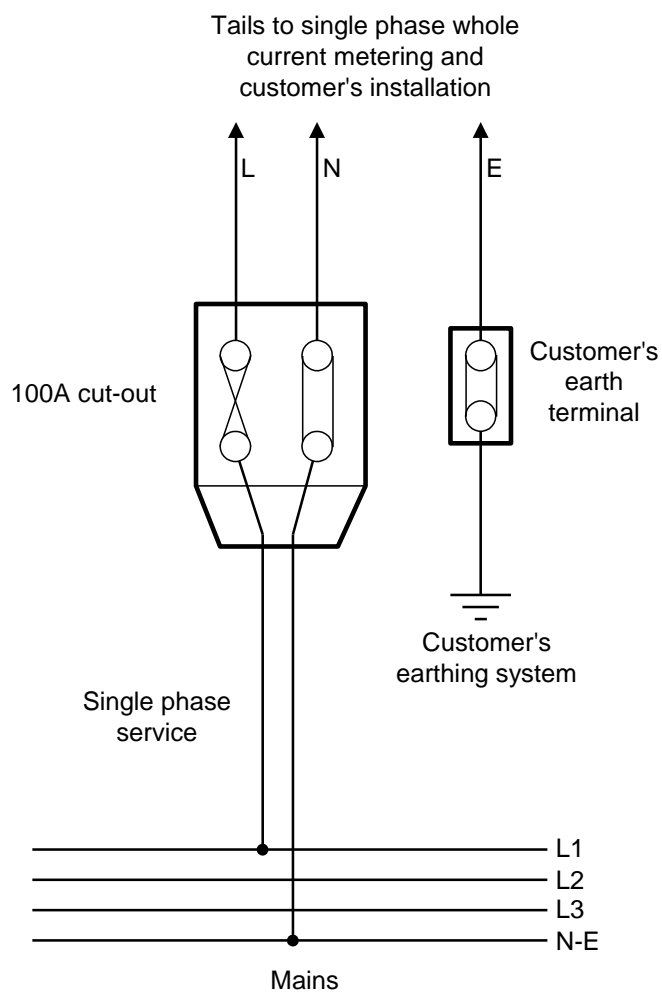
**Notes:**

- 1) Maximum cut-out fuse size is normally 80A;
- 2) Cut-out fuse size may be increased to 100A if the conditions defined in 3.3.2 are satisfied;
- 3) Service cable and meter tails must have continuous rating above cut-out fuse size;
- 4) A SNE label shall be installed adjacent to cut-out.



FIGURE 5G

Single-phase Directly Earthed Connection Arrangement;  
maximum load normally limited to 80A

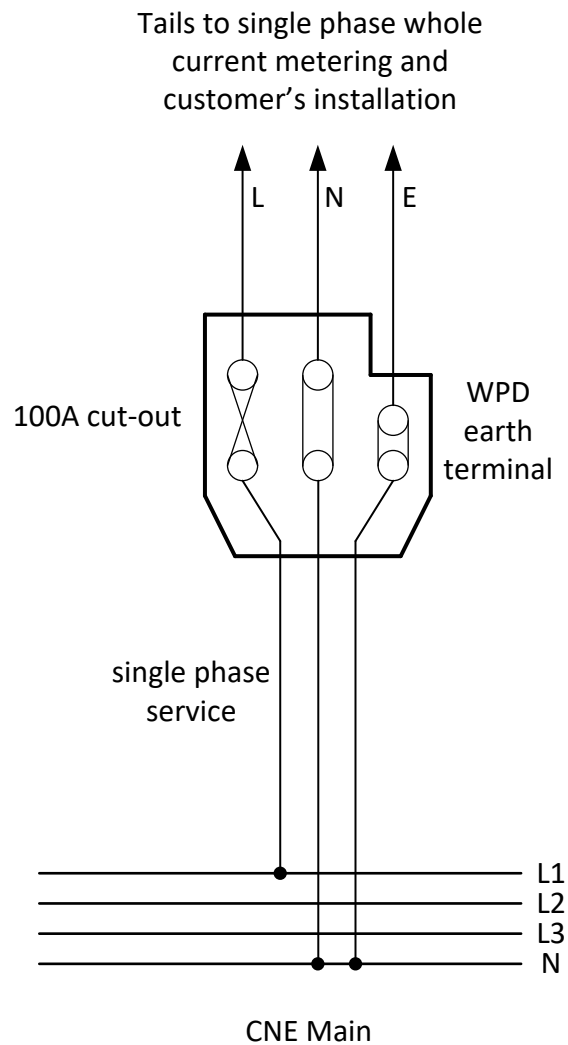


Notes:

- 1) Maximum cut-out fuse size is normally 80A;
- 2) Cut-out fuse size may be increased to 100A if the conditions defined in 3.3.2. are satisfied;
- 3) Service cable and meter tails must have continuous rating above cut-out fuse size;
- 4) Customer provides own earthing system and earthing terminal;
- 5) A direct earthing label shall be installed adjacent to cut-out.

**FIGURE 5H**

**Single-phase SNE from CNE main Connection Arrangement;  
maximum load normally limited to 80A**

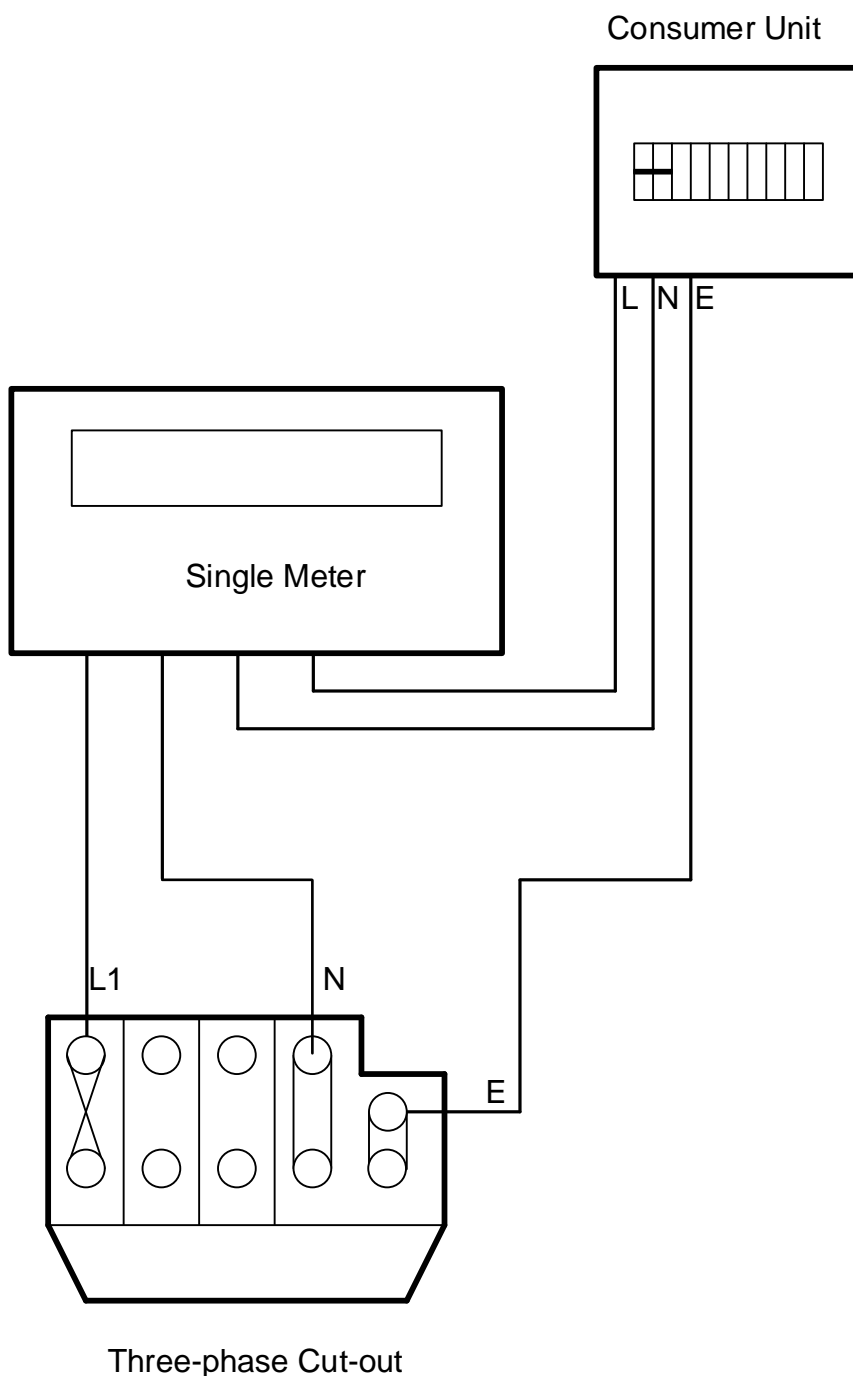


**Notes:**

- 1) Maximum cut-out fuse size is normally 80A;
- 2) Cut-out fuse size may be increased to 100A if the conditions defined in 3.3.2. are satisfied;
- 3) Service cable and meter tails must have continuous rating above cut-out fuse size;
- 4) A SNE from CNE main label shall be installed adjacent to cut-out.

FIGURE 5I

Typical Metering / Customer Arrangement;  
Single-phase connection with load normally limited to 80A (Three-phase cut-out)



Notes:

- 1) A label shall be placed at cut-out position reading "Warning this installation is not compatible with three-phase equipment";
- 2) An appropriate 'Connect to L\*' label (Figure 5K) shall be placed adjacent to cut-out;
- 3) Figure 5I shows a fuse inserted in L1, however, the fuse should be inserted into the phase that has been identified by the designer on the design plan or work instruction;
- 4) Fuse carriers (with a dummy fuses inserted) shall be inserted in the spare fuse-ways.

**FIGURE 5J**

**Typical Metering / Customer Arrangement;  
Single-phase connection with load normally limited to 80A**

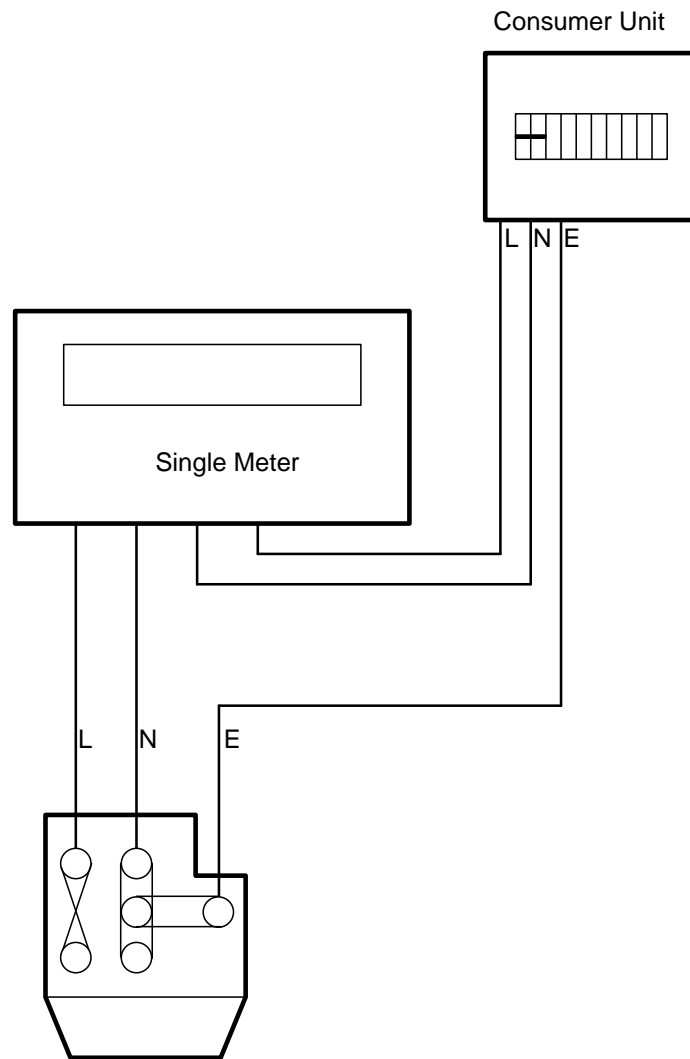
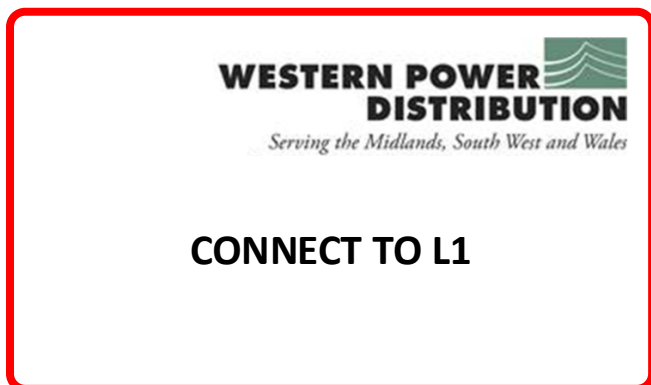
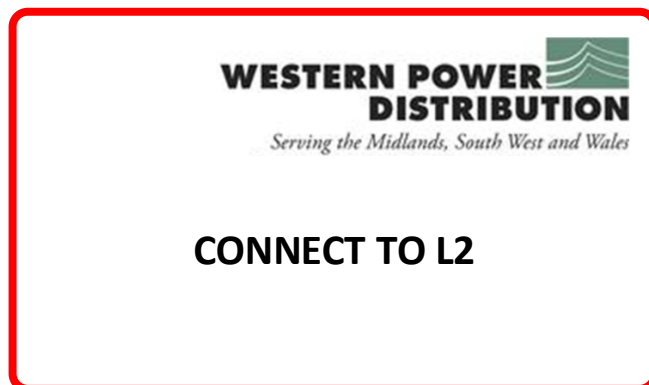


FIGURE 5K

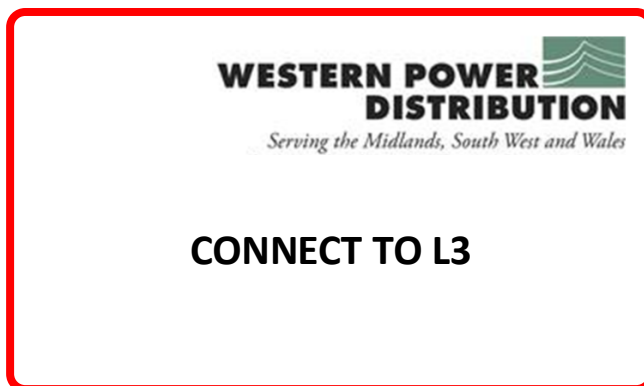
Connect to L\* Labels (L1 / L2 / L3) for Figures 5A to 5D



Connect to L1 Label  
(WPD Ref. 400263)



Connect to L2 Label  
(WPD Ref. 400264)



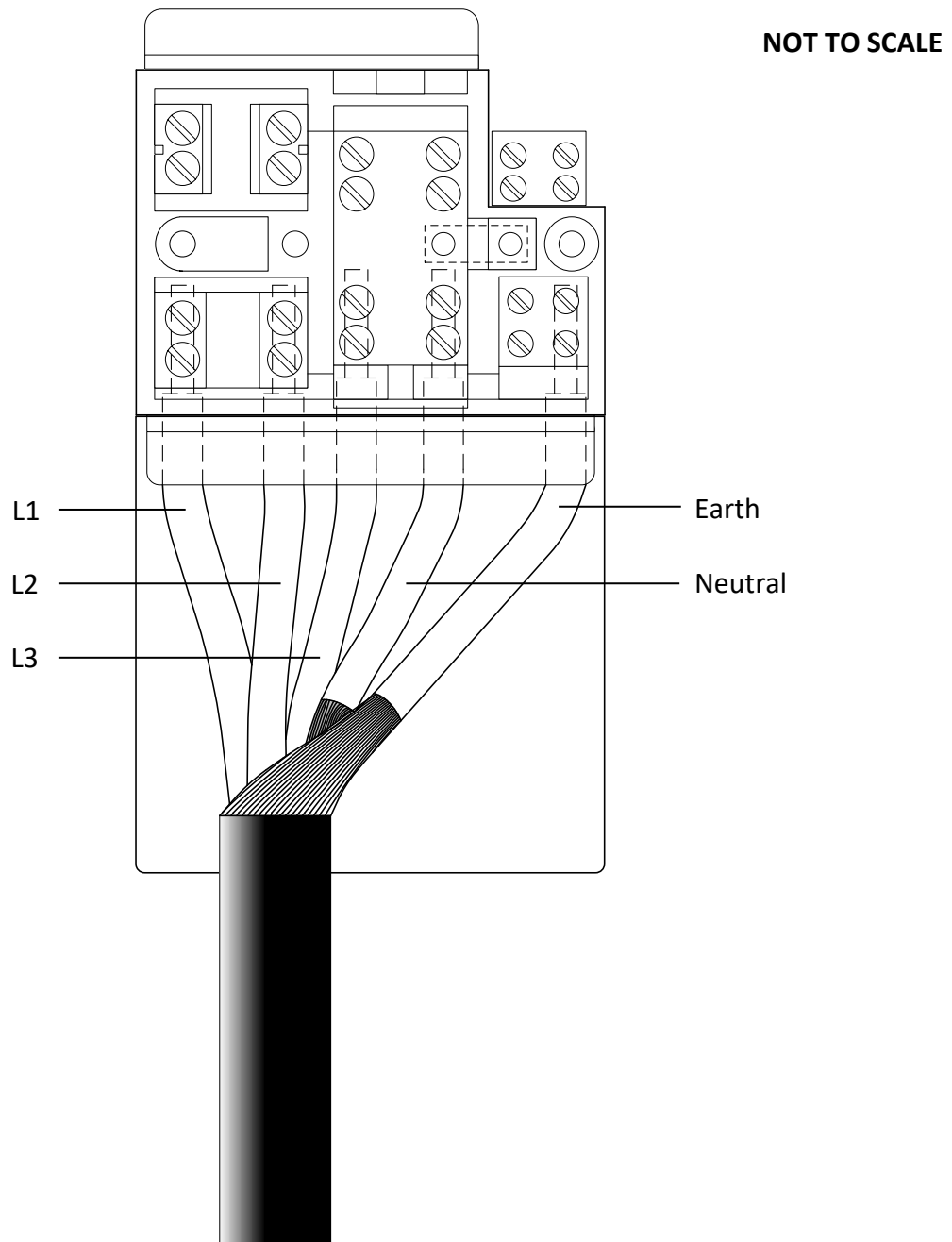
Connect to L3 Label  
(WPD Ref. 400265)

**Notes:**

- 1) The appropriate 'Connect to L\*' label(s) shall be selected and used on site with cut-out arrangements shown in Figures 5A to 5D;
- 2) The label is to be placed immediately adjacent to the cut-out, to make it obvious to DNO and Meter Operator staff which phase is being utilised;
- 3) 'Connect to L1' label: WPD/W400263;  
'Connect to L2' label: WPD/W400264;  
'Connect to L3' label: WPD/W400265.

FIGURE 5L

Bunched Three-Phase Service Cable Termination into Single-Phase Cut-Out

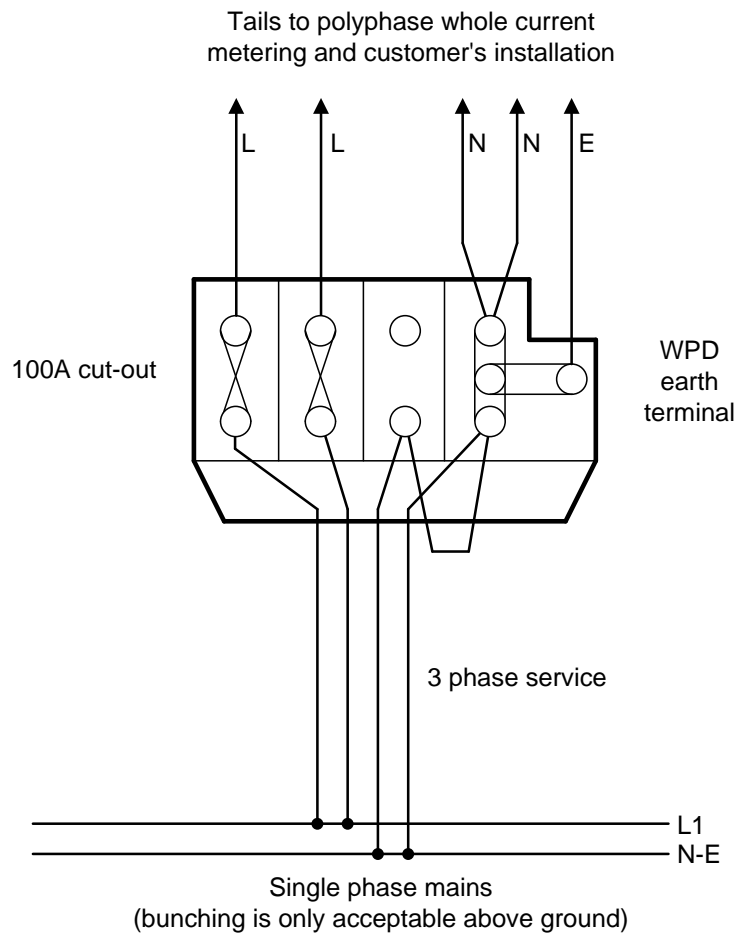


**Notes:**

- 1) Figure 5F is to be read in conjunction with Clause 3.5;
- 2) This Figure shows a three-phase split concentric service cable being terminated into a single-phase cut-out. Where a plain concentric service cable is being utilised, the neutral and earth sheaths are combined as a single neutral/earth sheath, which would be terminated into the neutral block, in the position of the neutral conductor, above;
- 3) Typical service cable bunching would be for the L1 and L2 cores to be bunched as phase conductors, with L3 being bunched with the neutral, to provide greater neutral cross-sectional area. For the split concentric example, above, the earth sheath is not bunched with another conductor. If a plain concentric were used, L3 would be bunched with the neutral/earth sheath.

**FIGURE 6A**

**Single-phase PME Connection Arrangement;  
maximum load is between 80A and 160A**

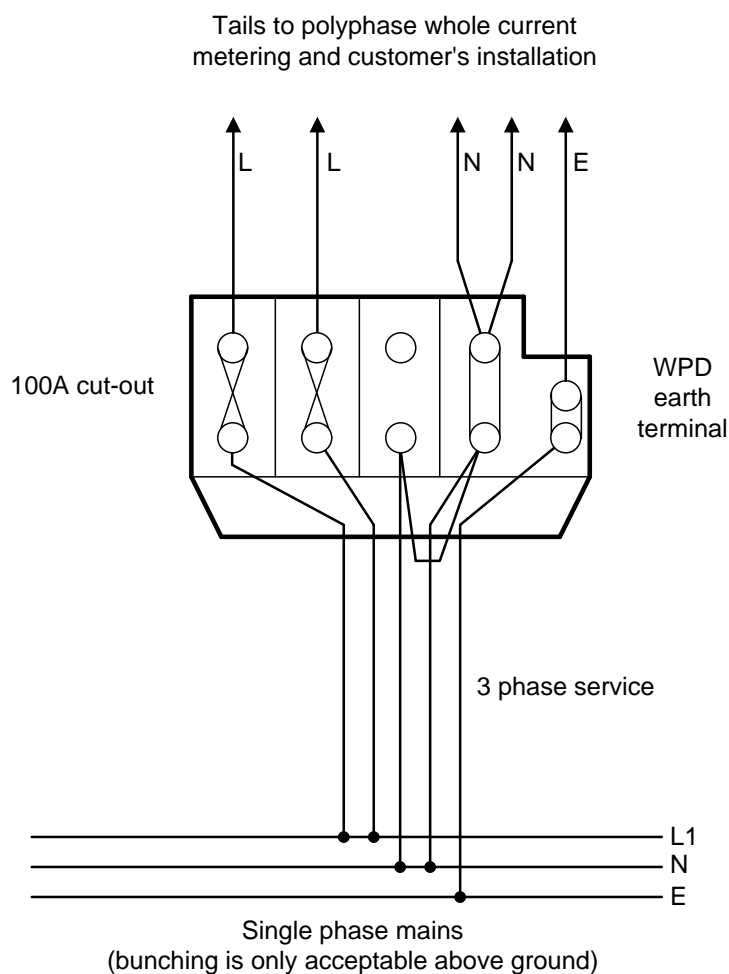


**Notes:**

- 1) WPD's 100A DMC type (grey coloured) cut-outs have been type tested for this duty. No other type of cut-out may be used for this application;
- 2) Maximum cut-out fuse size is 80A;
- 3) A label shall be placed at cut-out position reading "Warning this installation is not compatible with three-phase equipment";
- 4) Service cable must have a continuous rating above the cut-out fuse rating;
- 5) The spare phase of the service cable is bunched with the neutral to provide adequate neutral rating. 25mm<sup>2</sup> copper PVC/PVC cable is used to connect these two cores together at the cut-out;
- 6) A PME label shall be placed adjacent to cut-out;
- 7) Fuse carrier (with a dummy fuse inserted) shall be inserted in the spare fuse-way.

FIGURE 6B

**Single-phase SNE Connection Arrangement;  
maximum load is between 80A and 160A**



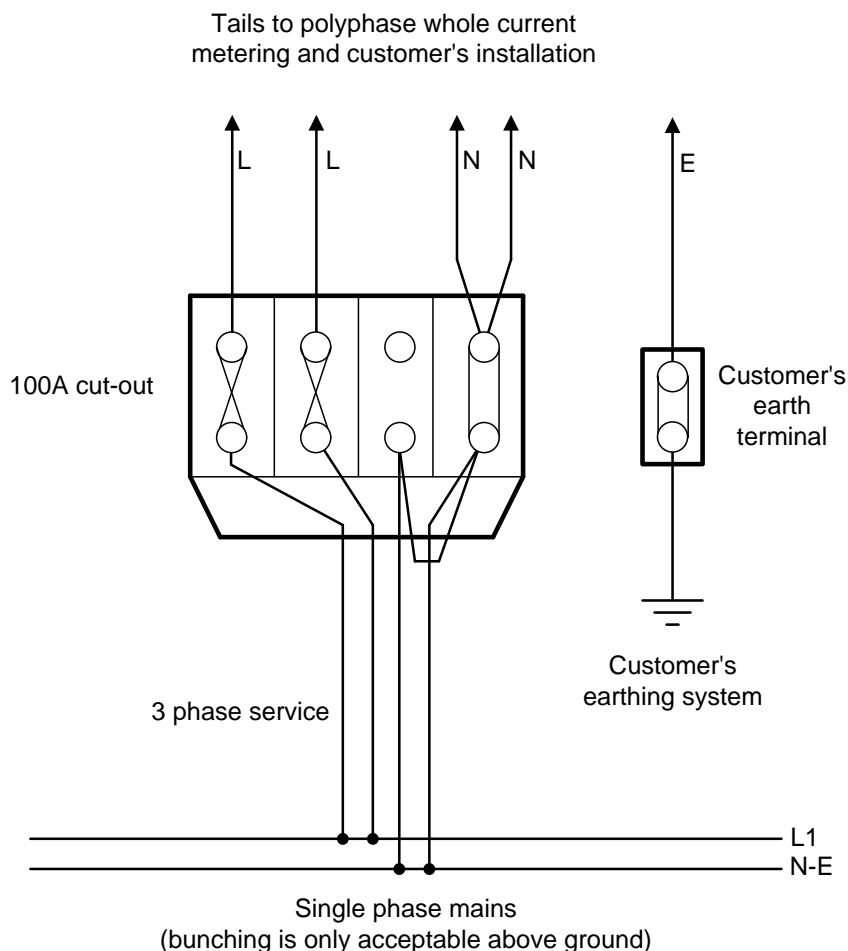
**Notes:**

- 1) WPD's 100A DMC type (grey coloured) cut-outs have been Type Tested for this duty. No other type of cut-out may be used for this application;
- 2) Maximum cut-out fuse size is 80A;
- 3) A sign shall be placed at cut-out position reading "Warning this installation is not compatible with three-phase equipment";
- 4) Service cable must have a continuous rating above the cut-out fuse rating;
- 5) The spare phase of the service cable is bunched with the neutral to provide adequate neutral rating. 25mm<sup>2</sup> copper PVC/PVC cable is used to connect these two cores together at the cut-out;
- 6) A SNE label shall be placed adjacent to cut-out;
- 7) Fuse carrier (with a dummy fuse inserted) shall be inserted in the spare fuse-way.



FIGURE 6C

**Single-phase Directly Earthed Connection Arrangement;  
maximum load is between 80A and 160A**

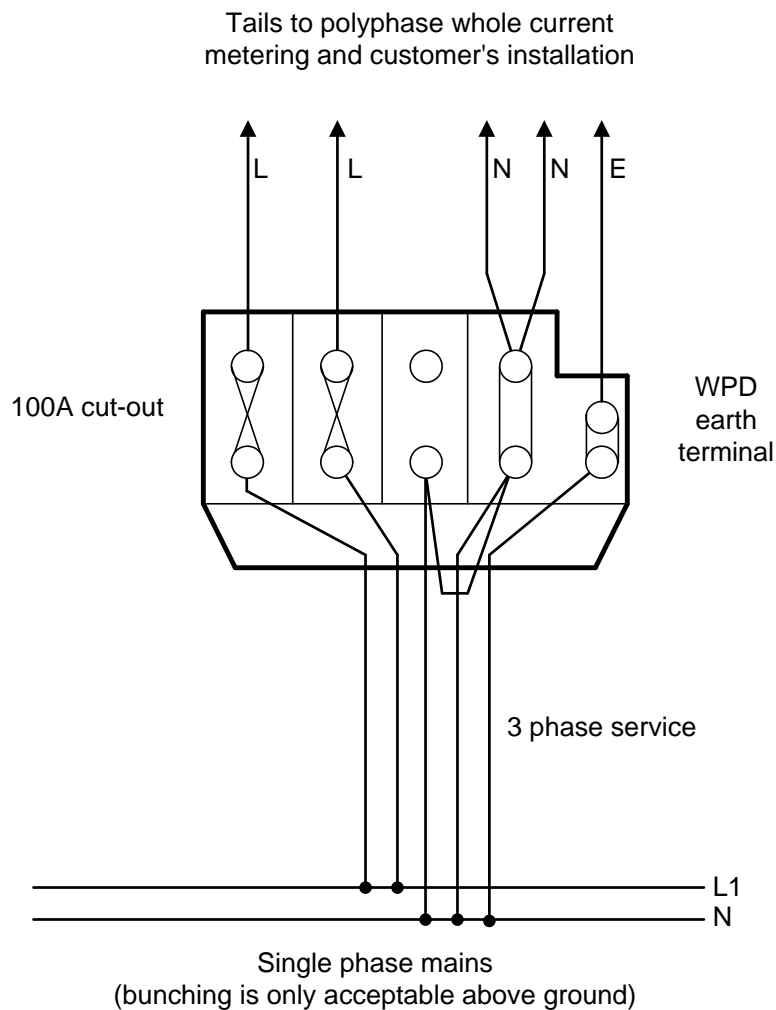


**Notes:**

- 1) WPD's 100A DMC type (grey coloured) cut-outs have been Type Tested for this duty. No other type of cut-out may be used for this application;
- 2) Maximum cut-out fuse size is 80A;
- 3) A sign shall be placed at cut-out position reading "Warning this installation is not compatible with three-phase equipment";
- 4) Service cable must have a continuous rating above the cut-out fuse rating;
- 5) The spare phase of the service cable is bunched with the neutral to provide adequate neutral rating. 25mm<sup>2</sup> copper PVC/PVC cable is used to connect these two cores together at the cut-out;
- 6) Customer provides own earthing system and earthing terminal;
- 7) A direct earthing label shall be placed adjacent to cut-out;
- 8) Fuse carrier (with a dummy fuse inserted) shall be inserted in the spare fuse-way;

**FIGURE 6D**

**Single-phase SNE from CNE main Connection Arrangement;  
maximum load is between 80A and 160A**

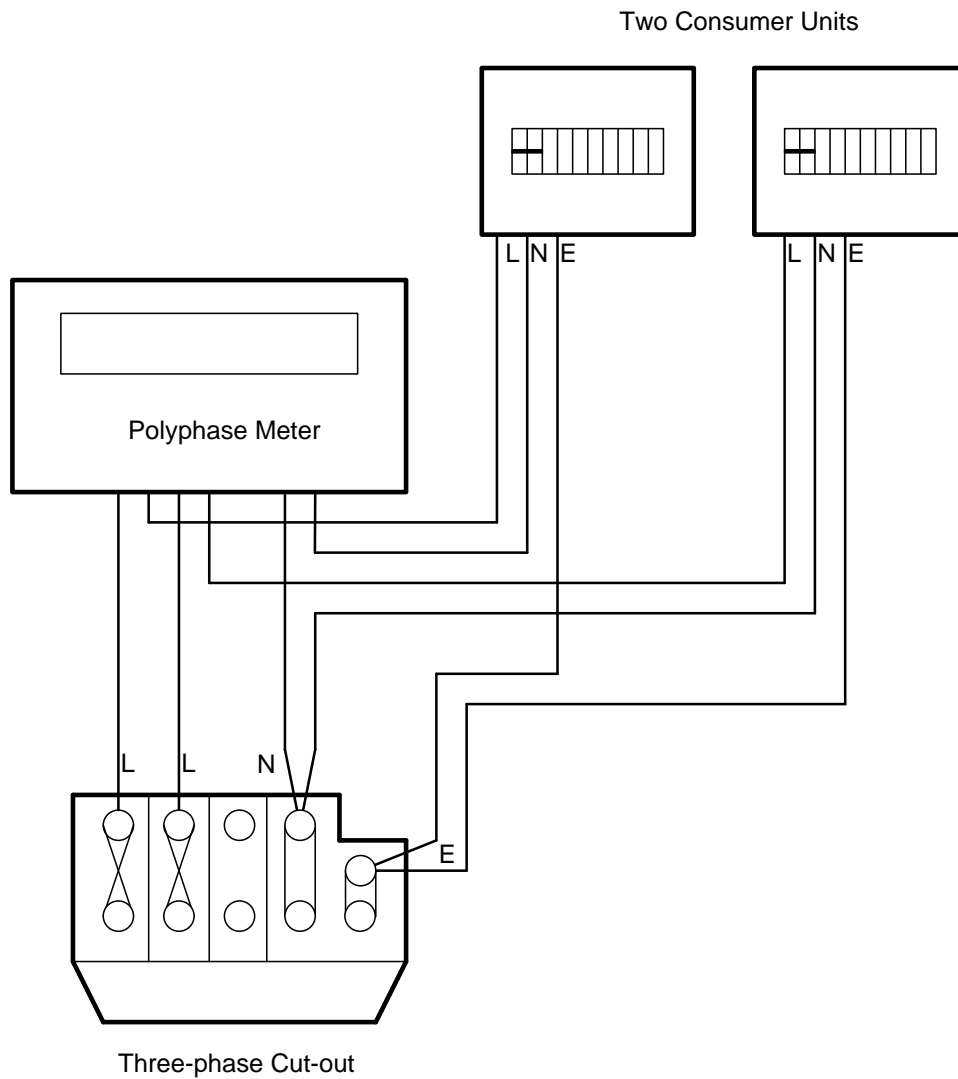


**Notes:**

- 1) WPD's 100A DMC type (grey coloured) cut-outs have been Type Tested for this duty. No other type of cut-out may be used for this application;
- 2) Maximum cut-out fuse size is 80A;
- 3) A sign shall be placed at cut-out position reading "Warning this installation is not compatible with three-phase equipment";
- 4) Service cable must have a continuous rating above the cut-out fuse rating;
- 5) The spare phase of the service cable is bunched with the neutral to provide adequate neutral rating. 25mm<sup>2</sup> copper PVC/PVC cable is used to connect these two cores together at the cut-out;
- 6) A SNE from CNE main label shall be placed adjacent to cut-out;
- 7) Fuse carrier (with a dummy fuse inserted) shall be inserted in the spare fuse-way.

FIGURE 6E

Typical Metering / Customer Arrangement;  
single phase connection with poly-phase metering with a maximum load of 80A  
to 160A



Notes:

- 1) Customer must split load into two separate groups. In this example two consumer units are shown, although the customer could use a multiphase distribution board instead.
- 2) Fuse carrier (with a dummy fuse inserted) shall be inserted in the spare fuse-way.

**FIGURE 7**

**Isolation Switches**

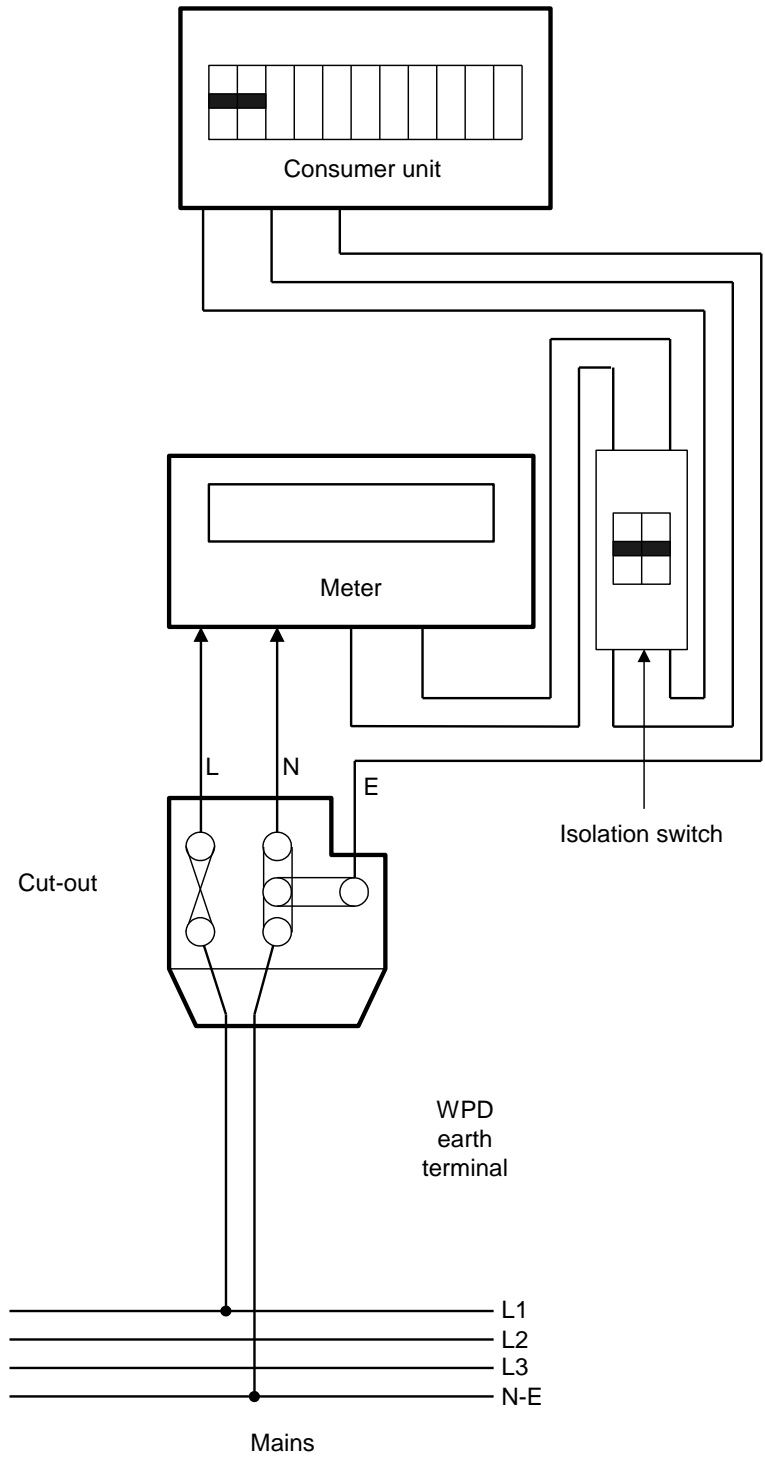


**Notes:**

- 1) Isolation switches used by WPD are specified in EE SPEC: 27;
- 2) Installation and operation of isolation switches to be in accordance with ST: TP14M.

FIGURE 8

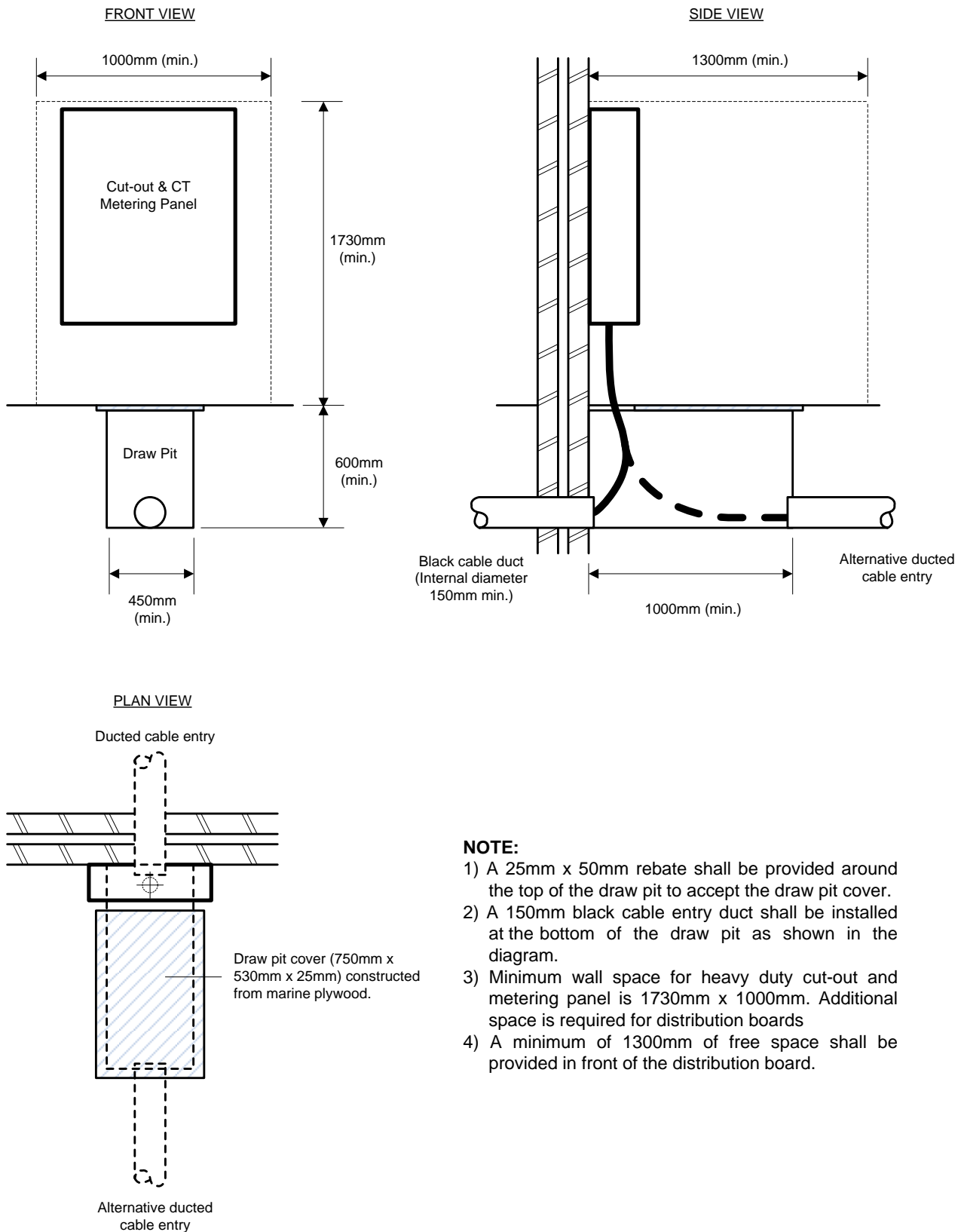
Typical Isolation Switch Application



**FIGURE 9**

**Cable Entry Requirements for Wavecon Cable (Draw Pit)**

**This option is suitable for 95mm<sup>2</sup>, 185mm<sup>2</sup> and 300mm<sup>2</sup> Wavecon cable**

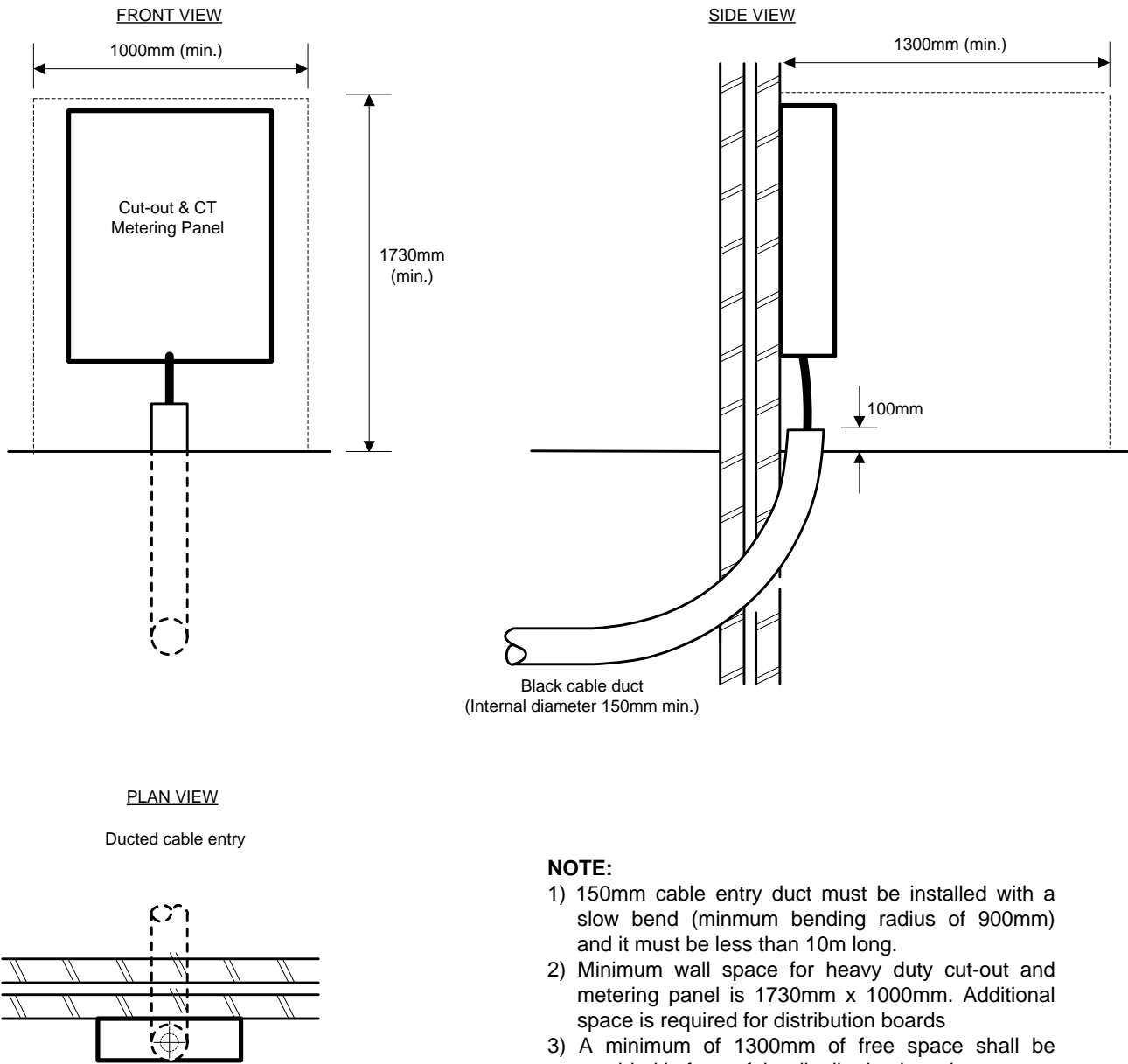


**NOTE:**

- 1) A 25mm x 50mm rebate shall be provided around the top of the draw pit to accept the draw pit cover.
- 2) A 150mm black cable entry duct shall be installed at the bottom of the draw pit as shown in the diagram.
- 3) Minimum wall space for heavy duty cut-out and metering panel is 1730mm x 1000mm. Additional space is required for distribution boards
- 4) A minimum of 1300mm of free space shall be provided in front of the distribution board.

**FIGURE 10 Cable Entry Requirements for Wavecon Cable (Slow Bend)**

**This Option is only suitable for 95mm<sup>2</sup> Wavecon cable**



**NOTE:**

- 1) 150mm cable entry duct must be installed with a slow bend (minimum bending radius of 900mm) and it must be less than 10m long.
- 2) Minimum wall space for heavy duty cut-out and metering panel is 1730mm x 1000mm. Additional space is required for distribution boards
- 3) A minimum of 1300mm of free space shall be provided in front of the distribution board.

**SUPERSEDED DOCUMENTATION**

This document supersedes ST: SD5D/2 dated February 2013 which has now been withdrawn.

**RECORDING OF COMMENT DURING CONSULTATION**

[ST: SD5D/3 Comments](#)

**ASSOCIATED DOCUMENTATION**

EE SPEC: 27	Specification for 100A, Low Voltage, Single Phase and Three Phase Isolation Switches
ST: SD5A	Design of low voltage domestic connections
ST: SD5C	Connection arrangements for flats, maisonettes and bedsits
ST: SD5E	Design for low voltage commercial and industrial connections
ST: SD5R	Earth Fault Loop Impedances and Phase to Neutral Loop Impedances
ST: TP14M	Providing De-Energisation or the Installation of an Isolation

**KEY WORDS**

Cut-out, multi-service distribution board, isolation switch, PME, SNE, SNE derived from CNE, TT, Direct Earthing.