

Company Directive

ENGINEERING EQUIPMENT SPECIFICATION 104/3

Substation 24V & 48V Batteries, Chargers, Distribution Boards & Associated Auxiliary Cabling

Author: Graham Brewster

Implementation Date: October 2021

Approved by



Carl Ketley-Lowe
Engineering Policy Manager

Date: 6th October 2021

Target Staff Group	Network Services Teams, Engineering Design Teams, Primary System Design Teams & ICPs
Impact of Change	Green – The change has no immediate impact on working practices or has been aligned to current working practices – Communication via a monthly update of changed policy. Team Manager discretion on how the changes are communicated to the team.
Planned Assurance checks	None

NOTE: The current version of this document is stored in the WPD Corporate Information Database. Any other copy in electronic or printed format may be out of date. Copyright © 2021 Western Power Distribution

IMPLEMENTATION PLAN

Introduction

This Engineering Equipment Specification (EE SPEC) defines the requirements for substation 24V & 48V batteries, battery chargers, dc distribution boards & associated auxiliary cabling.

Main Changes

This is an existing document which has been reviewed prior to re-tendering. Some sections have been re-written to make non-brand specific, to remove ambiguities, or to simplify the requirements.

A full list of the changes can be found in the 'Document Revision & Review Table'.

Substantive technical changes are as follows:

- Ensuring there is sufficient space in the battery compartment to accommodate alternative brands of monobloc in the event that economics favour a different product when they are replaced at end of life
- Revised requirements for double-pole isolation switch in DC distribution board
- Replacement batteries moved to EE SPEC 204

Other changes include a new 'General Requirements' section for where equipment is supplied under a contract with WPD. This includes (amongst other things):

- An optional 'Erection & Commissioning' Service
- Optional 'Special Application' enclosures for sites with challenging access into switch rooms / relay rooms

Impact of Changes

Target Staff Group	Network Services Teams, Engineering Design Teams, Primary System Design Teams & ICPs
Impact of Change	Green – The change has no immediate impact on working practices or has been aligned to current working practices – Communication via a monthly update of changed policy. Team Manager discretion on how the changes are communicated to the team.

Implementation Actions

- Managers to notify relevant staff that this document has been published
- The document shall be uploaded onto the WPD Technical Information website (www.westernpowertechinfo.co.uk)
- There are no retrospective actions

Implementation Timetable

This Engineering Equipment Specification shall be implemented with immediate effect.

24Vdc & 48Vdc systems may be installed in accordance with the previous version of this document (EE SPEC 104/2) until March 2022.

REVISION HISTORY

DOCUMENT REVISION & REVIEW TABLE		
Date	Comments	Author
Oct 2021	<p>Issue of EE104/3</p> <ul style="list-style-type: none"> Document reviewed prior to re-tendering Eurobat included in Section 3 (References) BS EN 60445 & BS EN 60446 included in Section 3.1 New Section 4 (General Requirements) added Earthing of 24V systems in South Wales area corrected in Section 5.5 Wire identification requirements moved to Section 5.6. Consequential changes to Sections 8.5 and 9.2 Additional requirements for enclosures included in Section 5.7 Section 6.2 amended to permit monoblocs with front facing terminals only Guidance on temperature correction factors revised in Section 6.5.5 WPD 'standard' battery capacities specified in Section 6.6. Additional requirements for battery enclosure included in Section 6.10 Section 6.12 amended to describe WPD process for approving monoblocs Revised requirements for battery charger MCBs in Section 7.9 Requirements for earth fault monitoring on unearthed systems (South Wales) included in Section 7.12 Additional requirements for battery charger enclosure included in Section 7.14 Revised requirements for double-pole isolation switch in DC distribution board included in Section 8.3 Fuse holder and base colours clarified in Section 8.3 DC system earthing label clarified in Section 8.5 Section 10. WPD Standard Configurations simplified and replacement batteries moved to EE SPEC 204 List of WPD Approved Monoblocs moved to new Section 11 	Graham Brewster
Oct 2018	<p>EE SPEC 104/2 Issued</p> <p>The main changes from the previous specification are as follows:</p> <ul style="list-style-type: none"> Inclusion of particular GNB Marathon M FT monoblocs on the list of WPD Approved Monoblocs Amended temperature correction factor for Enersys monoblocs Revised Battery Calculator to include GNB Marathon M FT monoblocs 	Graham Brewster
Apr 2016	<p>EE SPEC 104/1 Issued</p> <p>The main changes from the original specification are as follows:</p> <ul style="list-style-type: none"> Minor change to document title Document style brought in line with EE SPECS for other battery & charger systems Battery rating based on 15°C Air change rate in battery room reduced Approved monoblocs same as per 110V & 220V systems Variants reduced and brought in line with Battery & Charger contract Switch mode charger technology replaced with thyristor controlled rectifier technology Battery voltage transducer included Distribution board fuse rating changed to 32A Auxiliary cabling requirements included <p>Guidance on methodology for sizing batteries included</p>	Graham Brewster
Apr 2012	EE SPEC 104 Issued	Graham Brewster

CONTENTS

1.0 INTRODUCTION	6
2.0 DEFINITIONS.....	6
3.0 REFERENCES	7
3.1 British Standards	7
3.2 Energy Networks Association Technical Specifications	8
3.3 Institute Of Electrical & Electronic Engineers (IEEE)	8
3.4 Association of European Automotive & Industrial Battery Manufacturers (EUROBAT).....	8
4.0 GENERAL REQUIREMENTS.....	8
4.1 WPD Product Approval.....	8
4.2 Packaging and Labelling	9
4.3 Delivery and Offloading.....	10
4.4 Erection and Commissioning Service	11
4.5 Special Application Enclosures	13
4.6 Quality assurance	13
4.7 Defects.....	14
5.0 OVERALL TECHNICAL REQUIREMENTS	15
5.1 Substation DC Supply Arrangements	15
5.2 Schematic Diagram of Battery, Charger & DC Distribution Board	17
5.3 Environmental Conditions	17
5.4 Electromagnetic Compatibility	17
5.5 DC System Earthing	18
5.6 Wiring and Terminations.....	18
5.7 Construction Requirements for Enclosures	19
5.8 Drawings and Instructions.....	20
6.0 ADDITIONAL REQUIREMENTS FOR BATTERIES	20
6.1 Schematic Diagram of Battery.....	20
6.2 Monobloc Type.....	21
6.3 Monobloc Performance, Durability & Design Life.....	21
6.4 Battery Arrangement.....	21
6.5 Battery Sizing.....	22
6.6 WPD Standard Battery Capacities	23
6.7 Battery Accessories	24
6.8 Battery Connections	24
6.9 Protection and Testing Facilities	24
6.10 Enclosure	25
6.11 Labelling.....	26
6.12 Monobloc Approval.....	27
7.0 ADDITIONAL REQUIREMENTS FOR BATTERY CHARGERS	28
7.1 Schematic Diagram of Battery Charger	28
7.2 General	28
7.3 Design Life	28
7.4 AC Circuits and Maintenance Facilities	28

7.5	DC Output Current Rating	30
7.6	DC Output Voltage Control.....	30
7.7	DC Output Current Control	30
7.8	Performance	30
7.9	Charger Input / Output Protection.....	30
7.10	Charger Control Module and other Electronic Components	30
7.11	Instrumentation Requirements.....	31
7.12	Battery & Charger Monitoring Requirements.....	31
7.13	Charger Burden	35
7.14	Enclosure	36
7.15	Labelling.....	36
8.0	ADDITIONAL REQUIREMENTS FOR DC DISTRIBUTION BOARDS	37
8.1	Schematic Diagram of the DC Distribution Board	37
8.2	Design Life	37
8.3	Circuits and Maintenance Facilities.....	37
8.4	Enclosure	38
8.5	Wire Marking And Insulation Colour.....	38
8.6	Labelling.....	38
9.0	ADDITIONAL REQUIREMENTS FOR AUXILIARY CABLING.....	40
9.1	Schematic Diagram of Auxiliary Cabling.....	40
9.2	Auxiliary Cables - Power	40
9.3	Auxiliary Cables - Multipair	41
9.4	Auxiliary Cables - Glands	41
10.0	WPD STANDARD CONFIGURATIONS	42
10.1	24V Systems For WPD South Wales	42
10.2	24V Systems For WPD East Midlands.....	42
10.3	48V Systems	43
10.4	24V Distribution Boards For WPD South Wales.....	43
10.5	24V Distribution Boards For WPD East Midlands	44
10.6	48V Distribution Boards	44
11.0	WPD APPROVED MONOBLOCS	45
12.0	PERFORMANCE DATA FOR WPD APPROVED MONOBLOCS	45
13.0	SIZING OF LEAD ACID BATTERIES & CHARGERS	46
13.1	WPD Battery Sizing Calculator.....	46
13.2	Battery Duty Cycle	46
13.3	Preliminary Selection of Cell / Monobloc Type.....	46
13.4	Battery Sizing Methodology	47
13.5	Example Calculation	47

1.0 INTRODUCTION

The operational security of the distribution network is dependent upon reliable and secure dc auxiliary supplies. This Engineering Equipment Specification defines the requirements for substation 24V and 48V batteries, battery chargers, distribution boards & associated auxiliary cabling.

24V and 48V dc systems are used to power telecommunication, telecontrol, intertripping and switchgear control equipment associated with high voltage power circuits, which require a “no-break” supply.

48V systems are used in all four WPD distribution licence areas. 24V systems are only used in the WPD South Wales and WPD East Midlands distribution licence areas.

Guidance In Relation To “Telecommunication Equipment”

Telecommunication networks typically consist of a core network (aka backbone or trunk network) with radial access network connections (aka local loops or subscriber lines) to premises where telecommunication services are required.

Substation 24V and 48V systems will be used to power telecommunication equipment at the substation end of access network connections only. In other words, microwave radios, fibre optic multiplexers, network terminating units, line isolation units associated with telecontrol outstations, feeder current differential protection, distance protection signalling, intertripping, and the like.

Substation 24V & 48V systems will not be used to power telecommunication equipment associated with the telecommunications service provider’s (i.e. Surf Telecom) core network where this is co-located at a substation site.

2.0 DEFINITIONS

For the purpose of this Engineering Equipment Specification the following definitions apply:

WPD	Western Power Distribution
Cell	The basic electro-chemical unit used to generate or store electrical energy
Monobloc	A multi-compartment container housing a number of separate, but electrically interconnected cells. 12V monoblocs are typically employed
Battery	Multiple cells or monoblocs electrically interconnected in an appropriate series / parallel arrangement to provide the requisite level of operating voltage and current
Battery Duty Cycle	The load a battery is expected to supply for a specified period following loss of output from the battery charger (for whatever reason)

3.0 REFERENCES

This document makes reference to, or should be read in conjunction with, the documents listed below. The issue and date of the documents listed below shall be those applicable at the date of issue of this document, unless stated otherwise.

3.1 British Standards

BS 88-2	Low Voltage Fuses
BS 381C	Specification For Colours For Identification, Coding And Special Purposes
BS 5467	Electric cables – Thermosetting insulated, armoured cables for voltages of 600/1000V and 1900/3300V
BS 6121-1	Armour glands – Requirements and test methods
BS 6121-5	Code of practice for selection, installation and inspection of cable glands and armour glands
BS 6290: Part2	Lead-Acid Stationary Cells And Batteries
BS 7671	Requirements For Electrical Installations
BS EN 50014	Electromagnetic Compatibility – Requirements For Household Appliances, Electric Tools And Similar Apparatus
BS EN 50272-2	Safety Requirements For Secondary Batteries And Battery Installations Part 2: Stationary Batteries
BS EN 60051	Direct Acting Indicating Analogue Electrical Measuring Instruments And Their Accessories
BSEN 60255	Electrical Relays
BS EN 60269	Low Voltage Fuses
BS EN 60309-1	Plugs, Socket Outlets And Couplers For Industrial Purposes: General Requirements
BS EN 60309-2	Plugs, Socket Outlets And Couplers For Industrial Purposes: Dimensional Interchangeability Requirements For Pin And Contact Tube Accessories
BS EN 60445	Basic and safety principles for man-machine interface, marking and identification of equipment terminals and of terminations
BS EN 60446	Basic and safety principles for the man-machine interface, marking and identification. Identification of conductors by colours or numerals
BS EN 60529	Degrees Of Protection Provided By Enclosures (IP Code)
BS EN 60694	Common Requirements For High Voltage Switchgear And Control Gear Standards.
BS EN 60896-21	Stationary Lead Acid Batteries Part 21 – Valve Regulated Types: Methods Of Test
BS EN 60896-22	Stationary Lead Acid Batteries Part 22 – Valve Regulated Types: Requirements
BS EN 60947-3	Low Voltage Switchgear And Controlgear: Switches, Disconnectors, Switch-Disconnectors & Fuse Combination Units
IEC TS 61000-6-5	Electromagnetic Compatibility – Generic Standards: Immunity For Power Station And Substation Environments
BS EN 61006-4	Electromagnetic Compatibility – Generic Emission Standards Industrial Environment

3.2 Energy Networks Association Technical Specifications

ENA TS 48-4	DC Relays Associated With Tripping Function In Protection Systems
ENA TS 50-18	Design And Application Of Ancillary Electrical Equipment
ENA TS 50-19	Standard Numbering For Small Wiring

3.3 Institute Of Electrical & Electronic Engineers (IEEE)

IEEE 485	Recommended Practice For Sizing Lead Acid Batteries For Stationary Applications
----------	---

3.4 Association of European Automotive & Industrial Battery Manufacturers (EUROBAT)

Eurobat Guide For The Specification Of Valve Regulated Lead-Acid Stationary Cells And Batteries (2015)
--

4.0 GENERAL REQUIREMENTS

The following general requirements apply where 24V & 48V batteries, battery chargers, dc distribution boards and associated auxiliary cabling are supplied under a contract with WPD.

4.1 WPD Product Approval

4.1.1 WPD Approved Products

Some sections of this specification make reference to “WPD Approved Products”. These are items which have either completed a formal product approval process or are tried and tested by virtue of have been satisfactorily deployed on the distribution network for an extended period of time.

Where any product offered by the supplier is not a WPD approved product then the supplier shall complete the ‘WPD Product Approval Process’ described in Section 4.1.3 below prior to that product being deployed on the distribution network.

This prerequisite, and other requirements contained in this specification, are not intended to restrict or inhibit the introduction of new product but simply to ensure that there is a suitable investigation or exercise of care that a reasonable business would normally be expected to take before entering into a contract, and that work equipment is so constructed as to be suitable for the purpose for which it is to be used.

4.1.2 WPD Approved Product Is Not To Be Changed

No change in the product, packaging or labelling shall be made after approval has been granted without prior notice and without receipt of agreement from WPD, in writing, to the proposed change.

4.1.3 WPD Product Approval Process

The cost of WPD Product Approval shall be borne by the supplier and included in the tender costs.

The supplier shall, at the time of tender, provide the following information:

- a) Drawings (where appropriate)
- b) Technical Datasheets
- c) Control of Substances Hazardous to Health (COSHH) Datasheets (where applicable) such as to guide WPD in the safe use, storage and disposal of the product
- d) A written declaration of conformance or otherwise with relevant parts of this Engineering Equipment Specification
- e) Details of where product is manufactured
- f) Details of packaging and labelling
- g) Details of how gross weight is to be marked packages with a gross weight over 1 kg, as will enable WPD to comply with the Health and Safety Manual handling Operation Regulations 1992
- h) Details of product packaging disposal, as will enable WPD to comply with the requirements of BS EN 14001: 1996 – Environmental Management Systems
- i) Details of any warranty, and what this covers.

4.2 **Packaging and Labelling**

Packaging shall be non-returnable, easily disposable and where practicable bio-degradable and/or recyclable.

The packaging method must be robust, resistant to impact damage during transit and from handling equipment, and be suitable for the applied weight and load.

All timber (including wooden boxes, and pallets) if used in the packing shall be new, dry, and properly seasoned. The timber shall be natural wood. The timber and any timber treatment shall not damage the product.

If the pallets are to be stacked on one another during transit and / or storage then the load-bearing points shall be positioned above one another ensuring that the stack is both sturdy and stable and will not crush under self-weight.

Pallets must conform to the following specification:

- a) Pallets must be either Euro pallets (measuring 1200mm by 800mm) or four way pallets (measuring 1200mm by 1000mm) that are in good condition and strong enough to bear the weight of the Items being delivered.
- b) Components must not overhang the pallet in any direction.
- c) Individual pallets must not be more than 1.5m high.
- d) Maximum pallet weight must not exceed 450kg.

All labels shall be legible, indelible and must be suitable and durable for the lifetime of the package.

Each package / pallet / box must be labelled with the following details:

- a) WPD E5 Code
- b) Material Description
- c) Manufacturer's name
- d) Quantity of product contained within the package / pallet / box
- e) Gross weight of package / pallet / box in kg

4.3 Delivery and Offloading

The Supplier is responsible for delivery and offloading.

There are three modes of delivery for 24V & 48V batteries, battery chargers, battery controllers, dc distribution boards and associated auxiliary cabling to WPD:

- Delivery to its central stores
- Delivery to its local depots
- Delivery direct to site

WPD will confirm the requirements for delivery at the time of ordering. Delivery is expected to be predominantly to WPD substation sites.

Delivery shall be made using a vehicle equipped with a mechanical offloading system such as a tail-lift or vehicle mounted crane. The operator shall be fully trained, competent, and carry the relevant certification. Any lifting equipment used for offloading shall have a valid and current test certificate.

The delivery driver must:

- Report to the WPD Recipient¹ immediately on arrival at the site and agree a plan for the safe offloading of the goods

¹ The WPD employee who is to receive the goods at the premises on behalf of the Company

- Use any site traffic route designated by the WPD Recipient
- Offload the goods onto the area of ground designated by the WPD Recipient

Where at all possible the area of ground designated by the WPD Recipient will be a hard and level surface, however this cannot be guaranteed for deliveries direct to site. Consequently the delivery driver must come prepared for offloading onto sloping, uneven, loose, or soft surfaces.

It is the delivery driver's responsibility to raise any concerns they may have about the designated traffic route and offloading area to the WPD Recipient.

4.4 Erection and Commissioning Service

The Supplier shall provide an optional erection and commissioning service for the 24V & 48V battery, charger, and DC distribution boards. This shall include the following activities:

- Movement of the goods from the offloading point to the switch room / relay room where they are to be installed
- Placement of the cubicles, boards & boxes in their final position and fixing in place
- Connection of the cubicles, boards & boxes to the substation main earthing system
- Installation of the interconnecting cables between cubicles & boards. In order to avoid any doubt, cabling to the ac distribution board and to scada/telecontrol outstation is outside the scope of works
- Installation of the monoblocs and the associated battery connections
- Identification labelling of the monoblocs
- Application of all settings, including (but not limited to) charger dc output current & voltage settings, transducer scaling, high & low volts alarm settings, battery impedance monitoring settings, earth fault alarm settings, etc
- Testing & commissioning of the installed equipment
- The production and handover of a formal, written commissioning report documenting the results of the commissioning inspections and tests

WPD reserves the right to witness some or all of the testing and commissioning activities.

4.4.1 Distribution Safety Rules

All work in the substation will be undertaken in accordance with Western Power Distribution Safety Rules.

The Supplier's workers are not expected to hold any authorisation under WPD Distribution Safety Rules. WPD will provide personal supervision of the Supplier's workers at all times during the course of their work. In order to avoid any doubt, this supervision relates solely to compliance with Distribution Safety Rules – the Supplier shall be fully responsible for the supervision and activities of all their workers, including their subcontractors, employed under this contract.

The Supplier shall provide their workers with, and their workers shall wear, flame retardant coveralls, light eye protection, safety helmets and safety footwear whilst working on site.

4.4.2 CDM Regulations

Erection and commissioning activities in the substation will be subject to the Construction Design & Management Regulations (CDM Regulations).

The Supplier shall carry out the duties of Contractor as defined in the CDM Regulations.

All costs associated with compliance with the CDM Regulations shall be deemed to have been included in the Supplier's tender price. The Supplier's price should take account of the costs of:

- Complying with directions given by the Principal Contractor
- Complying with parts of the construction phase plan relevant to their work
- Attending site inductions
- Coordinating work activities with those of other parties
- Preparing risk assessments and method statements

4.4.3 Manual Handling Equipment, Tools, Test Equipment and PPE

The Supplier is responsible for providing all necessary manual handling equipment, tools, test equipment and personal protective equipment necessary for their work. All costs associated with this shall be deemed to have been included in the Supplier's tender price.

Access to the switch room / relay room where the goods are to be installed may not be straightforward at some substations. There may be steps to negotiate or the need to traverse sloping, uneven, loose, or soft surfaces. The Supplier shall employ appropriate manual handling equipment, for example, rough terrain sack trolleys, rough terrain platform trolleys, stair trolleys, dollies and the like.

All power tools shall either be battery or 110V_{ac} operated. In the case of the latter, the supplier shall also provide the necessary 230/110V power tool transformers. All ac operated power tools shall have an in-date PAT test certificate.

All test equipment and test instruments shall be commercially manufactured and have in-date calibration certificates. All ac operated test equipment shall also have an in-date PAT test certificate.

4.4.4 Site Workers

The Supplier shall indicate which site workers are directly employed by themselves and which are subcontractors.

WPD reserves the right to insist alternative site workers are employed to satisfy the requirements of the contract works. This right will only be exercised where WPD deems the site worker has insufficient ability, displays poor workmanship, or fails to cooperate with any reasonable instruction given by the Principal Contractor or the WPD person providing supervision under the auspices of the Distribution Safety Rules.

4.4.5 Site Mobilisation

The Supplier is responsible for the transportation of personnel, tools, equipment and materials to and from the substation site. All costs associated with this shall be deemed to have been included in the Supplier's tender price.

4.4.6 Accommodation & Welfare

Where the location of the substation or the duration of the work requires site workers to be away from home overnight, the Supplier is responsible for the overnight accommodation and welfare of those individuals. All costs associated with this shall be deemed to have been included in the Supplier's tender price.

4.5 **Special Application Enclosures**

Some WPD substations have particularly restricted access to the switch room / relay room where the goods are to be installed, for example, elevated door thresholds for flood prevention, access via flights of stairs, reduced ceiling or lintel height etc. In these circumstances manoeuvring standard, full height cubicles into the switch room / relay room is challenging.

The Supplier shall provide an option for the battery & battery charger to be provided in a 'special application' enclosure in order to overcome some of these difficulties. The equipment shall be supplied in two separate half-height cubicles which can subsequently be stacked one on top of each other and bolted together to form a normal full size cubicle. For example, one half could contain the charger and the other half the battery.

Note that WPD is open to alternative suggestions as to the form of 'special application' enclosure in order to address the challenge of restricted access.

4.6 **Quality assurance**

The Supplier shall confirm, at the time of tendering, whether or not approval is held in accordance with a Quality Assurance Scheme accredited under ISO 9000. If not, he shall submit a statement of quality assurance procedures employed to control the quality of the product, including the performance of sub-suppliers and sub-contractors.

WPD reserves the right to make, from time to time, such inspections of the Supplier's facilities as it may deem to be reasonably necessary to ensure compliance with this Specification and any Contract of which it forms a part.

The Supplier shall provide free of charge to WPD such samples as, in WPD's opinion, may be reasonably required for inspection and/or retention as quality control samples. WPD will confirm the requirements for samples at the time of tendering.

WPD reserves the right to require the Supplier to undertake such testing, at the Supplier's premises or other agreed location, as WPD may deem to be reasonably necessary to verify compliance with this Specification. These tests may involve subjecting the product to extreme operating conditions, and may include destructive tests.

WPD reserves the right to require the Supplier to repeat, from time to time, such tests as it may deem to be reasonably necessary to demonstrate continued compliance with the Specification.

The Supplier shall submit with his tender, details of how product traceability is assured.

The Supplier shall submit with his tender, a list of the tests and inspections which are to be carried out on the product prior to despatch which shall demonstrate, to the satisfaction of WPD, the absence of damage or decay and fitness for installation and service.

4.7 Defects

In the event that WPD notifies the supplier of a defect or other non-conformance with the 24V or 48V batteries, battery chargers, dc distribution boards or associated auxiliary cabling, the supplier shall carry out a diligent investigation and provide WPD with a written report explaining the root cause of the defect or non-conformance and the measures the supplier is going to take to prevent a recurrence.

The supplier shall work with WPD to decide the appropriate course of action in relation to:

- The defective or non-conforming item
- Any similar item stocked in WPD's central or local stores
- Any similar item installed on site

5.0 OVERALL TECHNICAL REQUIREMENTS

5.1 Substation DC Supply Arrangements

24V and 48V dc systems shall be designed to provide “no-break” supplies at all times, in particular whilst routine maintenance, repair or replacement activities are undertaken on batteries & chargers, or the charger ac incoming supply. This is because it is, or may be, unacceptable for:

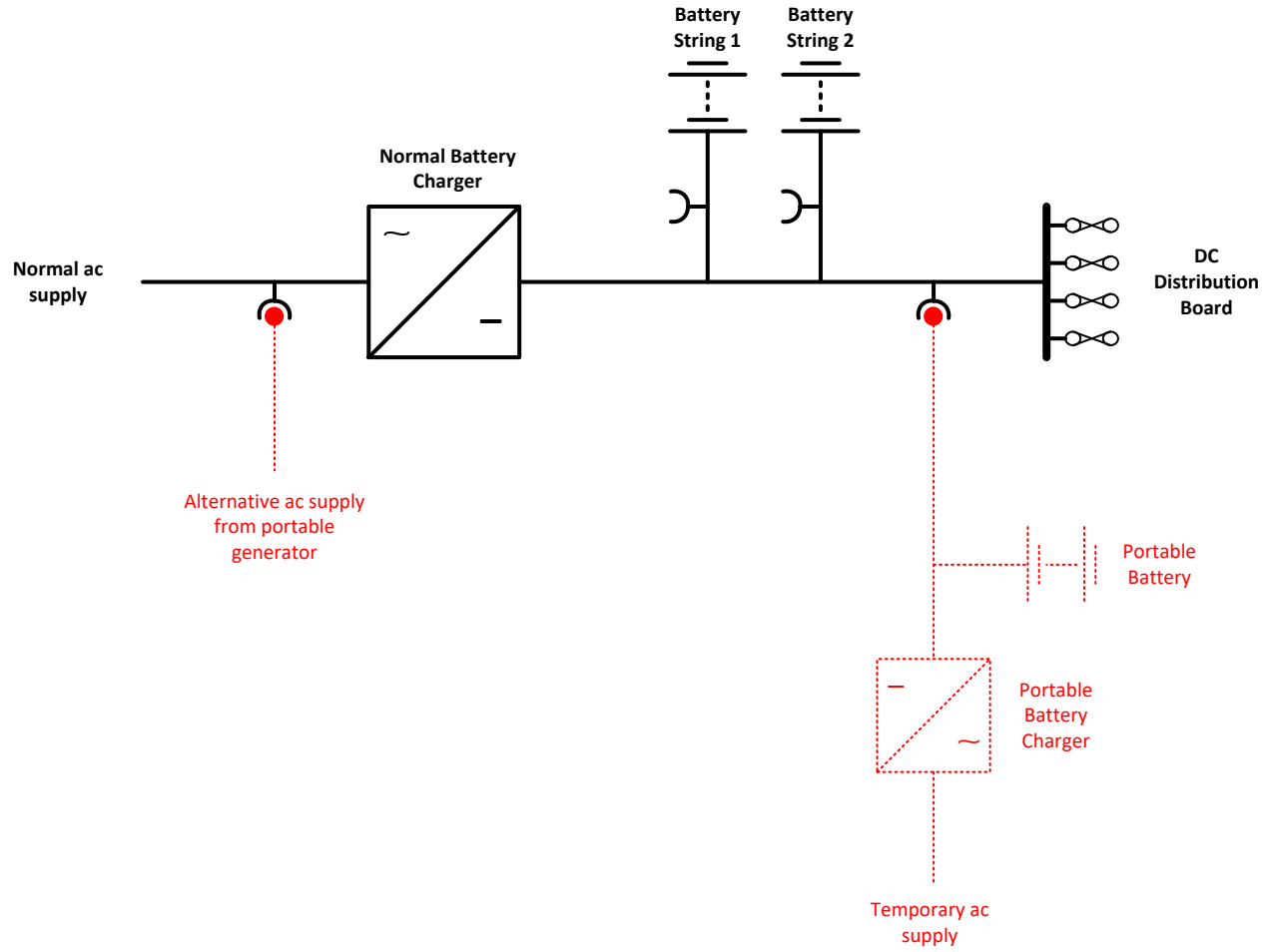
- a) DC supplies to telecommunication, telecontrol, intertripping and switchgear control equipment to be interrupted whilst the associated high voltage power circuits are energised
- b) All associated high voltage power circuits to be made dead concurrently whilst activities of this type are undertaken

Accordingly, the DC supply arrangements shall include the following facilities:

- A means of supplying the battery charger from a portable generator whilst the normal fixed ac supply is being maintained, repaired or replaced
- Two parallel-connected strings of batteries arranged in a manner such that dc supplies can be maintained whilst one battery string is being maintained, repaired or replaced
- A means of connecting a portable battery & portable battery charger whilst the battery charger or battery cubicle is being repaired or replaced

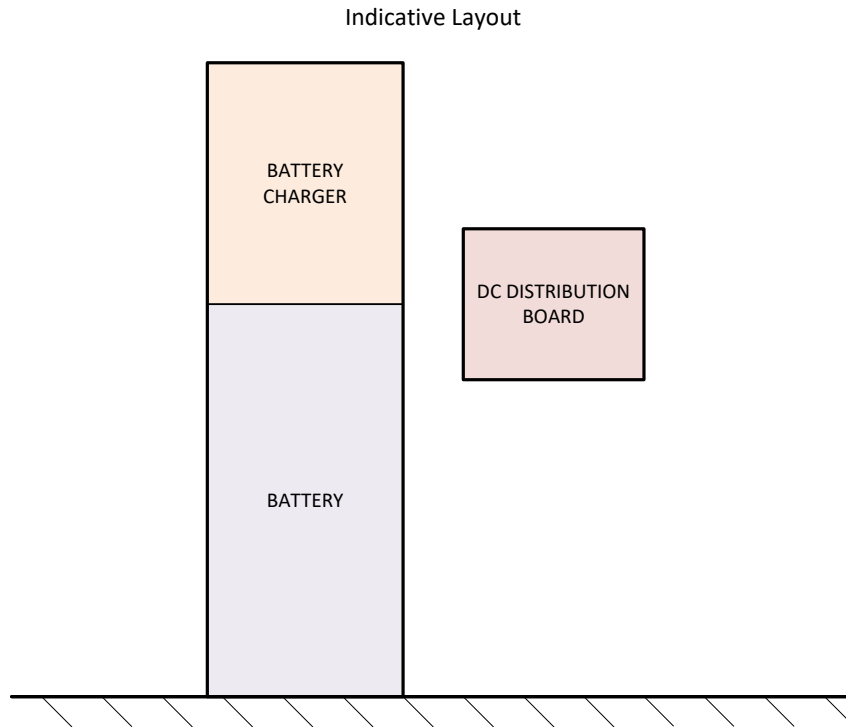
A sustained shutdown of a substation (including the site ac auxiliary power supply) as a consequence of either a localised or widespread event will result in the 24V or 48V battery slowly discharging due to the standing load. The shutdown could last for 72 hours (worst case scenario).

A block diagram of the battery, charger and dc distribution board is shown below.



BLOCK DIAGRAM OF BATTERY, BATTERY CHARGER & DC DISTRIBUTION BOARD

5.2 Schematic Diagram of Battery, Charger & DC Distribution Board



5.3 Environmental Conditions

All equipment shall be suitable for operation in ambient conditions as defined in ENA Technical Specification 50-18.

Suppliers shall, unless otherwise specified in the Schedules, assume:

- a) An average air change rate for the room containing the battery of 0.25 air changes per hour
- b) A temperature of 15°C shall be assumed for the purposes of rating the battery system

If there are any special environmental conditions to be met these are defined in the Enquiry / Ordering Schedule.

5.4 Electromagnetic Compatibility

The battery, charger & dc distribution board system shall comply with requirements of the Electromagnetic Compatibility Regulations.

Emission requirements shall satisfy the requirements of BS EN 61000-6-4.

Immunity requirements shall be in accordance with IEC TS 61000-6-5: Electromagnetic compatibility – Immunity for power station and substation environments.

5.5 DC System Earthing

48Vdc systems are used in all four WPD distribution licence areas and shall always be connected positive-earth.

24Vdc systems are only used in the WPD South Wales and WPD East Midlands distribution licence areas.

- 24Vdc systems used in the WPD South Wales area shall not be directly connected to earth, but earthed via the high impedance of an insulation monitoring (i.e. earth leakage) device. In other words, shall be IT systems (I=Isolated, T=Earth) as described in BS 7671.
- 24Vdc systems used in the WPD East Midlands area shall always be connected negative-earth.

48V positive-earth and 24V negative-earth systems shall be connected to earth in the DC distribution board in order that the system remains connected to earth when being supplied from a portable battery & charger.

5.6 Wiring and Terminations

All interconnecting control wiring, terminations and terminal blocks shall be in accordance with ENA Technical Specification 50-18.

Terminal blocks for alarm facilities shall be screw clamp type, to ENA Technical Specification 50-18, with a hinged link for isolation purposes.

5.6.1 Conductor Identification By Colour

Manufacturers shall identify all conductors within DC distribution boards and all other conductors at the point of interface to auxiliary cabling by the use of coloured insulation in accordance with BS 7671, BS EN 60446 and Table 1 below.

5.6.2 Wire Identification Marks

Manufacturers shall apply alphanumeric identification marks to small wiring located at the point of interface to auxiliary cabling complying with BS 7671 and BS EN 60446 and as per Table 1 below.

Manufacturers may apply identification marks to small wiring complying with other standards, or to their own convention, at terminals which are not located at the point of interface to auxiliary cabling.

Identification marks (ferrules) shall also be fitted to each wire in every auxiliary cable. The ferruling shall comply with the requirements contained in ENA Technical Specification 50-19.

Its purpose is to facilitate tracing through equipment for function checking and fault-finding and consequently this numbering shall be shown on schematic and wiring diagrams.

Table 1: Conductor Identification By Colour and Alphanumeric Characters

Conductor	Insulation Colour	Alphanumeric Characters
Single Phase AC <ul style="list-style-type: none"> • Phase Conductors • Neutral Conductors 	Brown Blue	L1 N
Unearthed DC <ul style="list-style-type: none"> • Positive Conductors • Negative Conductors 	Brown Grey	L+ L-
Positive Earthed DC <ul style="list-style-type: none"> • Positive (0V) Conductors • Negative Conductors 	Blue Grey	M L-
Negative Earthed DC <ul style="list-style-type: none"> • Positive Conductors • Negative (0V) Conductors 	Brown Blue	L+ M

5.7 Construction Requirements for Enclosures

Enclosures shall:

- Have a design life of 40 years
- Satisfy the requirements of ENA Technical Specification 50-18
- Be constructed from sheet-steel
- Include cable entry facilities on both the top and bottom sides via un-drilled, removable gland plates
- Include provision for connection to the substation earth-bar. The earthing arrangement shall comply with ENA Technical Specification 50-18
- Be fitted with protective bushes or similar protection, where wiring is taken through division sheets, shelves or side walls

Where an enclosure is in the form of a freestanding cubicle the following additional requirements apply:

- Cubicles shall have a front access design and be suitable for positioning with their back to the wall and with other equipment cubicles located on each side
- Cubicles shall have a maximum height of 2100mm
- Vermin proofing shall be provided where cubicles are to be located above cable trenches / ducts
- Bottom entry gland plates shall be situated not less than 100 mm above vermin proofing level

- Unrestricted access shall be provided to all components and in particular to the battery and battery connections, either via front mounted hinged and lockable doors or via easily removable bolted panels

Enclosures shall be painted throughout in semi-gloss paint in light grey shade 631 to BS 381C.

Additional requirements for enclosures are described in Sections 6.10, 7.14 and 8.4 below.

5.8 Drawings and Instructions

Drawings shall bear the substation name and/or the WPD contract reference, as appropriate.

All final copies of the schematic / circuit / general arrangement drawings shall be provided in *.dwg (CAD) format.

All final copies of the installation / commissioning / maintenance instructions shall be provided in *.pdf (Adobe Reader) format.

A paper copy of the schematic / circuit / general arrangement drawings and the installation / commissioning / maintenance instructions shall be supplied with each battery, battery charger and dc distribution board.

6.0 ADDITIONAL REQUIREMENTS FOR BATTERIES

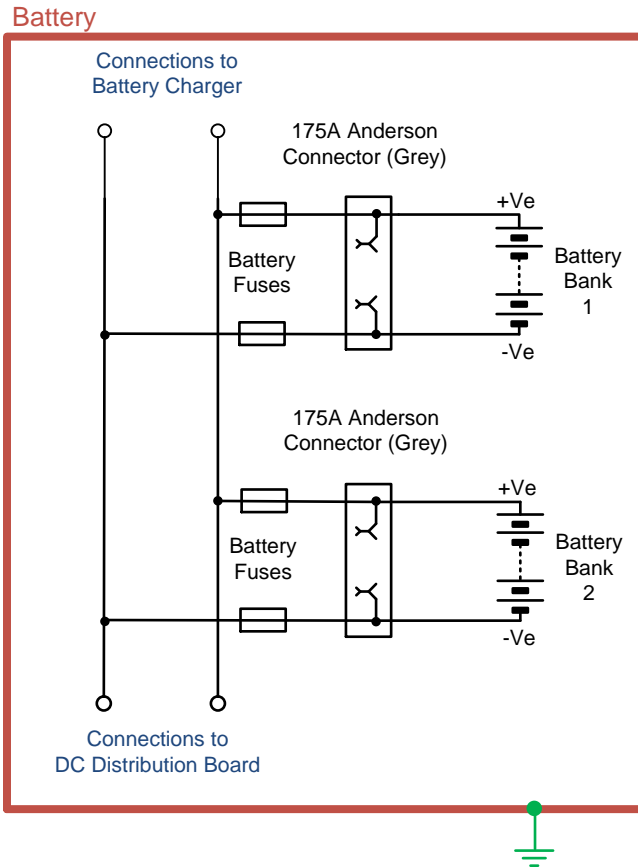
Batteries will be employed in a float charge application (i.e. permanently connected to a load and to a dc power supply) and in a static location (i.e. not generally intended to be moved from place to place). The load will comprise of telecommunication, telecontrol, intertripping and switchgear control equipment.

The battery is required to supply the dc power requirements when the following conditions occur:

- The load on the dc system exceeds the maximum output of the battery charger
- The output of the battery charger is interrupted
- The ac power supply to the charger is lost

6.1 Schematic Diagram of Battery

A schematic diagram of the battery employing two parallel-connected strings of cells or monoblocs (i.e. a dual battery) is shown below.



6.2 Monobloc Type

Batteries associated with 24V & 48V systems shall employ valve regulated lead-acid monoblocs complying with BS EN 60896-21 and BS EN 60896-22.

The monoblocs shall be equipped with front-facing terminals in order to facilitate maintenance and testing activities.

6.3 Monobloc Performance, Durability & Design Life

The design life of the battery shall be at least 10 years, which shall be calculated using an average ambient temperature of 20°C.

Monoblocs shall have a service life in excess of 1100 days at an operating temperature of 40°C and shall maintain their capacity for in excess of 350 days at a stress temperature of 55°C when tested in accordance with BS EN 60896-21.

Monoblocs shall be classified as “12 years & longer – Very Long Life” according to Eurobat.

6.4 Battery Arrangement

The battery shall consist of two parallel-connected strings of monoblocs.

Each string shall consist of a number of series-connected monoblocs (as appropriate for the battery voltage). Each string shall be identical i.e. employ the same number and type of monobloc and contain 50% of the overall battery capacity.

6.5 Battery Sizing

The battery system shall be sized in accordance with the requirements of this section and using the methodology described in IEEE Standard 485: Recommended Practice for Sizing Lead Acid Batteries for Stationary Applications. A worked example is included in Section 13.0.

6.5.1 Battery Duty Cycles

The battery system shall, in the event of a failure of either the charger or its ac supply, be capable of supporting the standing dc load for a period of 72 hours.

6.5.2 24V Systems

The following requirements apply to all 24V batteries:

NOMINAL VOLTAGE	24V	(12 cells @ 2V per cell)
NORMAL WORKING VOLTAGE	27.5V	(12 cells @ 2.29V per cell)
MINIMUM PERMISSIBLE VOLTAGE AT THE BATTERY TERMINALS AT THE END OF THE DUTY CYCLE	22.2V	(12 cells @ 1.85V per cell)

– 2 monoblocs x 6 cells per monobloc = 12 cells

6.5.3 48V Systems

The following requirements apply to all 48V batteries:

NOMINAL VOLTAGE	48V	(24 cells @ 2V per cell)
NORMAL WORKING VOLTAGE	55.0V	(24 cells @ 2.29V per cell)
MINIMUM PERMISSIBLE VOLTAGE AT THE BATTERY TERMINALS AT THE END OF THE DUTY CYCLE	44.4V	(24 cells @ 1.85V per cell)

– 4 monoblocs x 6 cells per monobloc = 24 cells

6.5.4 Battery Design Margin

It is prudent to provide a margin to allow for unforeseen additional load on the dc system or for ambient temperatures being lower than expected. A battery design margin of 1.1 shall be applied to the battery sizing calculation.

6.5.5 Temperature Correction Factor

A temperature of 15°C shall be assumed for the purposes of rating the battery system.

The available capacity in a monobloc is affected by its operating temperature and rated capacity is typically based upon an ambient temperature of 20°C or 25°C. Manufacturer’s data on the effect of battery temperature on the electrical discharge performance shall be used to determine a temperature correction factor to be applied to the battery sizing calculation.

Guidance

Battery capacity shall be assessed using a temperature of 15°C whereas design life shall be assessed using 20°C (see 6.3 above).

Manufacturer ratings are usually based on an ambient temperature of 20°C. Typically, a temperature correction factor of 1.04 is applied to the battery sizing calculation to correct for a temperature of 15°C. This temperature correction is based upon a 1 hour discharge rate.

6.5.6 Ageing Factor

End of service life shall be deemed to be the point at which the battery’s actual capacity has reached 80% of the nominal capacity. The battery shall perform the full specified discharge duty cycle throughout its service life, and consequently a 1.25 factor for age shall be applied to the battery sizing calculation.

6.6 **WPD Standard Battery Capacities**

WPD requires battery systems to be provided in four different capacities. The following duty cycles set the benchmark against which the performance of proposed monoblocs can be assessed using the methodology described in Section 6.5 above.

6.6.1 WPD Benchmark Duty Cycle 1 (~120Ah)

The first battery system shall be capable of meeting the following hypothetical duty cycle:

DC system voltage	44.4V
Number of circuit breakers in substation	13
Standing load	(13 x 4W) + 2W = 54W
Duration of standby period	72 hours

- DC system voltage at end of duty cycle = 44.4V
- Assumed relay panel burden = 4W

6.6.2 WPD Benchmark Duty Cycle 2 (~180Ah)

The second battery system shall be capable of meeting the following hypothetical duty cycle:

DC system voltage	44.4V
Number of circuit breakers in substation	21
Standing load	(21 x 4W) + 2W = 86W
Duration of standby period	72 hours

- DC system voltage at end of duty cycle = 44.4V
- Assumed relay panel burden = 4W

6.6.3 WPD Benchmark Duty Cycle 3 (~320Ah)

The third battery system shall be capable of meeting the following hypothetical duty cycle:

DC system voltage	44.4V
Number of circuit breakers in substation	37
Standing load	$(37 \times 4W) + 2W = 150W$
Duration of standby period	72 hours

- DC system voltage at end of duty cycle = 44.4V
- Assumed relay panel burden = 4W

6.6.4 WPD Benchmark Duty Cycle 4 (~380Ah)

The fourth battery system shall be capable of meeting the following hypothetical duty cycle:

DC system nominal voltage	44.4V
Number of circuit breakers in substation	45
Standing load	$(45 \times 4W) + 2W = 182W$
Duration of standby period	72 hours

- DC system voltage at end of duty cycle = 44.4V
- Assumed relay panel burden = 4W

6.7 **Battery Accessories**

The battery shall be supplied with accessories and/or tools appropriate for the battery type.

6.8 **Battery Connections**

All connections up to the battery fuse shall be insulated so that a short circuit cannot occur under all feasible conditions.

Insulation should be resistant against the effects of ambient influences like temperature, dust and mechanical stress.

Monobloc terminal covers shall allow maintenance, measurement and test activities to be undertaken whilst minimising the exposure of live parts.

6.9 **Protection and Testing Facilities**

Each battery string shall be protected by two fuses (one in the positive circuit and one in the negative circuit).

Battery fuses shall comply with BS EN 60269-1, BS EN 60269-2 and BS 88-2 reference A or B.

A 175A Anderson type connector shall be installed between each battery string and its associated fuses for battery testing purposes.

6.10 Enclosure

Construction requirements for the enclosure are specified in Section 0 above.

The battery shall be provided in its own self-contained and lockable compartment. It is permissible for this to form part of a cubicle housing the battery charger. Both battery strings may be housed in the same compartment.

Monoblocs shall be arranged in a single row per shelf, orientated such that their terminals face towards the enclosure door.

The battery enclosure shall be sized such that:

- Monoblocs on each shelf are associated with a single battery string only
- Shelves associated with the same battery string are grouped together i.e. are not intermingled with shelves associated with the other battery string
- There is sufficient space to accommodate alternative brands of in the event that economics favour a different product when they are replaced at end of life. To this extent, cubicles shall be sized assuming the following:
 - Monobloc dimensions are 127mm (w) x 565mm (l) x 321mm (h)
 - 10mm gap is provided around the sides of each monobloc
 - 20mm gap is provided above the top of each monobloc
- A single battery string or an individual monobloc can be replaced without dismantling or removing other equipment
- There is adequate access to monobloc terminals to allow maintenance, measurement and test activities to be undertaken (e.g. for voltage & impedance measurements, discharge tests and the like)
- There is a physical gap between neighbouring monoblocs, between monoblocs and the sides of the enclosure and between monoblocs and the shelf above. The gap shall be in accordance with the manufacturer's recommendations

The enclosure floor and shelves (where fitted) shall be designed to take the load of the monoblocs. A weight of not less than 70kg per monobloc should be assumed for this assessment.

The battery enclosure shall provide a degree of protection to at least IP2X or IPXXB classification in accordance with BS EN 60529.

Whilst the volume of gas emitted by valve regulated lead-acid cells or monoblocs is very small under normal charging conditions, it increases significantly in the event of overcharging. Sufficient natural ventilation shall be provided to prevent the formation of an explosive hydrogen concentration within the enclosure under fault conditions, specifically, in the event of an overvoltage condition of 2.40V per cell. Ventilation requirements shall be calculated in accordance with BS EN 50272-2 and the average air change rate for the room containing the battery declared in section 4.3.

6.11 Labelling

6.11.1 Monobloc Labelling

Each monobloc shall be provided with a durable and easily visible alphanumeric identification to enable specific maintenance records to be kept and faulty monoblocs to be identified unambiguously. The identification shall commence with a letter which identifies the string, followed by a number which identifies the monobloc. Numbering shall start at the positive pole, with each monobloc being consecutively numbered all the way to the negative pole.

For example: **A2**

A label shall be placed on the front of each monobloc specifying the replacement date. The date shall be 8 years from the date of supply (to the nearest month).

6.11.2 Battery Identification Label

The battery cubicle shall be provided with a durable and easily visible alphanumeric identification label mounted on the exterior of the enclosure.

The alphanumeric identification shall be (as appropriate):

24V BATTERY (WPD)

48V BATTERY (WPD)

6.11.3 Manufacturer's Information Label

The exterior of the cubicle shall be provided with a durable and easily visible information label showing the following details:

- Name of manufacturer or supplier
- Manufacturer's or supplier's type reference
- Nominal battery voltage
- Nominal or rated capacity of the battery

6.12 Monobloc Approval

Only monoblocs which are approved by WPD are permitted to be used on the WPD distribution network.

A list of monoblocs which have already been approved by WPD can be found in Section 11.0.

Where a monobloc is proposed which is not on the approved list then, in addition to demonstrating conformance with this specification, the supplier shall also arrange at its own expense, for the battery capacity to be verified by discharge testing at an independent test facility, and for the worst performing monobloc to be subject to a tear-down inspection. A formal written report shall be provided for both the discharge test and the tear-down inspection.

Unless otherwise agreed by WPD in writing, the independent test facility shall be:

Northern Industrial Battery Services Ltd (NIBS)
Four Crosses Business Park
Four Crosses
Llanymynech,
Powys
SY22 6ST

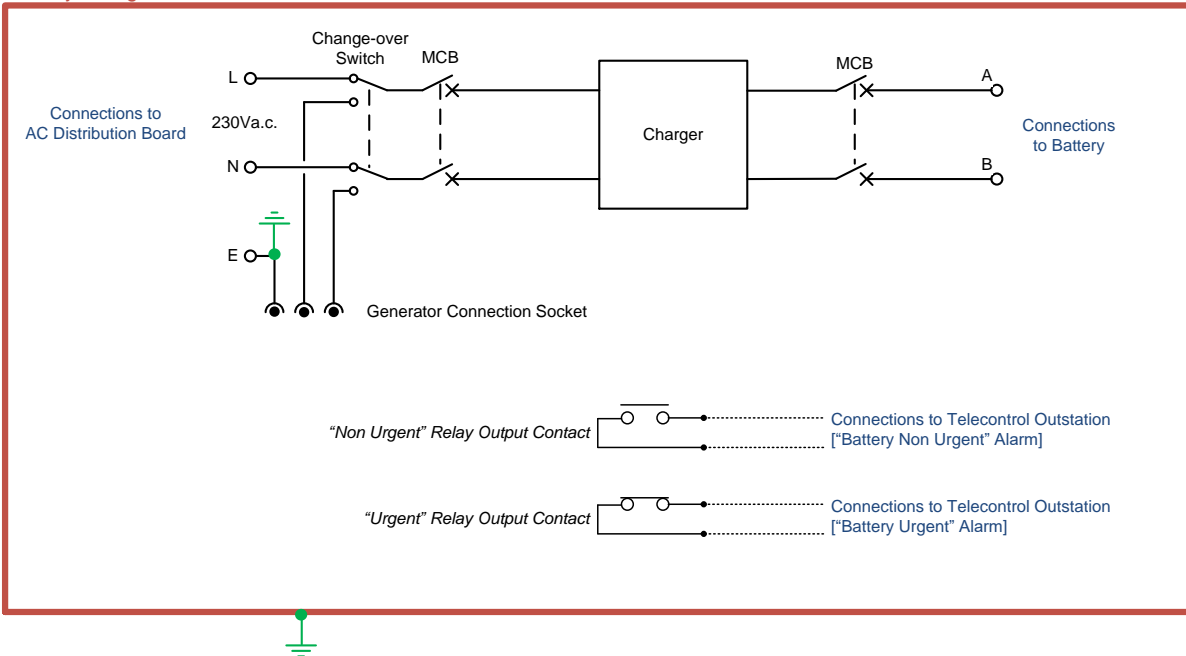
The discharge test shall be carried out in accordance with the following requirements:

- The test shall be performed on a single battery string consisting of six series-connected monoblocs
- The monoblocs shall be selected at random from a batch of new monoblocs which have not previously been subject to any discharge
- The blocs shall be positioned side-by-side at the manufacturer's recommended spacing and with the terminals linked using the manufacturer's recommended interconnects
- The ambient temperature shall be 20°C
- The voltage per monobloc and the overall string voltage shall be automatically recorded at one minute intervals during the test
- The temperature of each bloc shall be periodically measured during the test.
- The battery shall be discharged at the three-hour rate
- The test shall be terminated when a string voltage of 61.2V is reached (i.e. 36 cells x 1.70V per cell) or when one of the six monoblocs has reached a voltage 10.2V (6 cells x 1.70V per cell), whichever occurs first
- The monoblocs will have failed the discharge test if the test has to be terminated after less than 180 minutes have elapsed

7.0 ADDITIONAL REQUIREMENTS FOR BATTERY CHARGERS

7.1 Schematic Diagram of Battery Charger

Battery Charger



NOTES:

"Urgent" and "Non-Urgent" relays shown in the de-energised state

7.2 General

The charger shall be an automatic constant voltage charger utilising thyristor controlled rectifier technology.

The charger shall be constructed so that the thyristor controlled rectifier unit can be easily removed and replaced.

7.3 Design Life

The design life of the battery charger shall be at least 20 years.

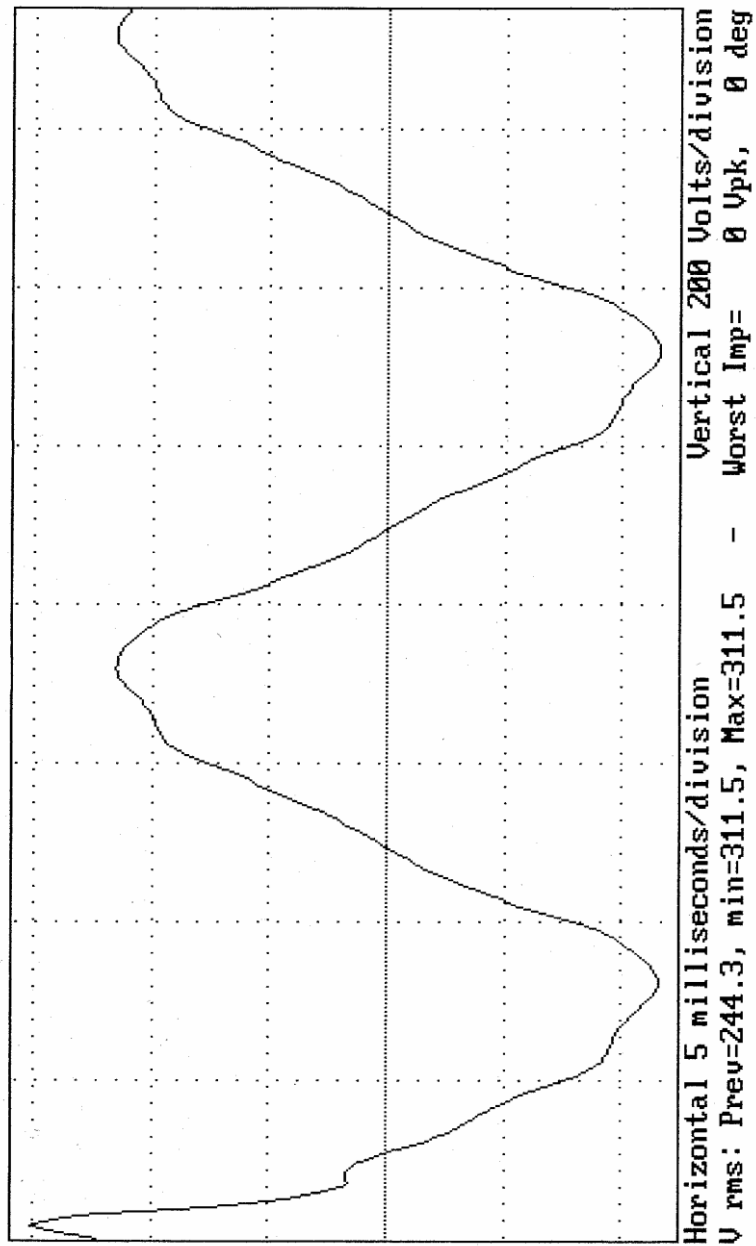
7.4 AC Circuits and Maintenance Facilities

The battery charger shall operate from a 230Vac single phase 50Hz supply.

The battery charger shall include current and voltage limiting circuitry, along with frequency interference suppression to comply with BS EN 55014-1 under all operating conditions.

The battery charger shall not be damaged by temporary over-voltages of the type shown below lasting for 3 seconds.

TEMPORARY OVERVOLTAGE ON CHARGER INPUT



A 230V phase, neutral & earth socket to BS EN 60309-1 and BS EN 60309-2 plus a suitable ac change-over switch shall be provided to allow a mobile generator to be connected.

All 230Vac terminals shall be fully shrouded.

7.5 DC Output Current Rating

The charger dc output current rating shall be not less than:

$$C_{10} \text{ current for the battery} + (\text{Charger Design Margin} \times \text{Standing Load Current})$$

It is prudent to provide a margin to allow for unforeseen additional load on the dc system. A charger design margin of 1.1 shall be employed in the charger sizing calculation.

7.6 DC Output Voltage Control

The float voltage setting shall be adjustable about the set value, accommodating the range of float voltages recommended by the battery manufacturer.

Boost charging facilities shall not be provided.

7.7 DC Output Current Control

The charger output current shall be adjustable between 20% and 100% of the current rated output current.

7.8 Performance

On float charge, the output voltage shall not vary by more than +1% to -1% under the following conditions:

- a) Frequency varying between +1% and -1% of 50 Hz.
- b) AC input voltage varying between +10% and -6% of 230V.
- c) Charger DC current output varying between 0% and 100% of the nominal rating.

The AC ripple permitted on the battery system output shall not exceed 2% of rated voltage and shall not exceed levels that have an adverse effect on battery life.

7.9 Charger Input / Output Protection

The input and output of the charger shall be protected by suitable miniature circuit breakers (MCBs). Residual current devices (RCD) shall not be used.

The fault level on the LV electrical installation is likely to be very high. MCBs suitable for an industrial application (i.e. to BS EN 60947-2) with a current breaking capacity of not less than 15kA shall be employed.

7.10 Charger Control Module and other Electronic Components

All electronic components shall be chosen such that they should not require replacement during the design life of the system.

7.11 Instrumentation Requirements

7.11.1 Instrumentation for Local Monitoring

The battery charger shall include instrumentation which displays the charger dc output voltage and current.

7.11.2 Instrumentation for Remote Monitoring

The battery charger shall include a transducer or comparable device so that the battery voltage can be continuously remotely monitored.

A 0-10mA current loop output shall be provided, which shall have an output current which varies linearly with battery voltage as per the following table.

OUTPUT CURRENT	0mA	10mA
BATTERY VOLTAGE: 24V SYSTEMS	20V	29V
BATTERY VOLTAGE: 48V SYSTEMS	40V	58V

The transducer shall drive a "Battery Voltage" telecontrol analogue.

7.12 Battery & Charger Monitoring Requirements

The following battery and charger monitoring functions shall be provided:

- a) Mains supply monitoring
- b) Charger monitoring
- c) Low voltage monitoring
- d) High voltage monitoring
- e) Battery impedance monitoring
- f) Earth fault monitoring (On 24V Unearthed Systems Only)

The monitoring scheme shall include LEDs for local alarm / indication purposes, and output relays with volt-free contacts for remote (telecontrol) alarm purposes.

LEDs shall be flush mounted on the front of the charger door and shall be clearly visible.

Three separate output relays shall be provided, "Urgent", "Non-Urgent" and "Common Fault". Two sets of changeover contacts shall be available on each relay. The "Urgent" relay shall be normally energised and will de-energise if an abnormal condition is detected (i.e. a fail-safe arrangement). The "Non-Urgent" and "Common Fault" relays shall be normally de-energised and will energise if an abnormal condition is detected.

LEDs and output relays shall operate after a user-settable time delay whenever an abnormal condition is detected. The user-settable time delay is to avoid alarms being generated for transient faults and shall encompass the range 0 to 60 seconds. It shall normally be set to 30 seconds.

A normally closed contact on the “Urgent” relay will initiate a “Battery Urgent” telecontrol alarm. A normally open contact on the “Non-Urgent” relay will initiate a “Battery Non-Urgent” telecontrol alarm. The wetting current for telecontrol alarm contacts is typically in the range 3 to 6mA.

7.12.1 Mains Supply Monitoring

The status of the incoming 230Vac supply shall be continuously monitored and alarms / indications shall be triggered in the event the mains supply fails.

The mains supply monitoring function shall self-reset.

Mains Supply Healthy	Mains Supply Failed
<ul style="list-style-type: none"> • A green “Mains Supply Healthy” LED shall be illuminated • The “Urgent” relay shall be energised • The “Common Fault” relay shall be de-energised 	<ul style="list-style-type: none"> • A green “Mains Supply Healthy” LED shall be extinguished • The “Urgent” relay shall be de-energised • The “Common Fault” relay shall be energised

7.12.2 Charger Monitoring

The status of the charger shall be continuously monitored and alarms / indications shall be triggered in the event the charger becomes faulty.

The charger monitoring function shall be hand-reset i.e. latches once operated.

Charger Healthy	Charger Failed
<ul style="list-style-type: none"> • A green “Charger Healthy” LED shall be illuminated • The “Urgent” relay shall be energised • The “Common Fault” relay shall be de-energised 	<ul style="list-style-type: none"> • A green “Charger Healthy” LED shall be extinguished • The “Urgent” relay shall be de-energised • The “Common Fault” relay shall be energised

7.12.3 Low Voltage Monitoring

The charger output / battery voltage shall be continually monitored and alarms / indications shall be triggered in the event the DC voltage falls below a user-settable limit.

On 24V systems the user-settable voltage limit shall be adjustable between 20 - 26V. The limit shall be set to operate at 25V (10% below normal float voltage i.e. 12 cells @ 2.06V per cell).

On 48V systems the user-settable voltage limit shall be adjustable between 39 - 52V. The limit shall be set to operate at 50V (10% below normal float voltage i.e. 24 cells @ 2.06V per cell).

The low voltage monitoring function shall have built in hysteresis i.e. a pick-up / drop-off differential. Once picked-up, the function shall not drop-off until the voltage is at least 0.5% higher than the pick-up value.

The low voltage monitoring function shall be hand-reset i.e. latches once operated.

DC Voltage Normal	DC Voltage Low
<ul style="list-style-type: none">• A red or amber "DC Voltage Low" LED shall be extinguished• The "Urgent" relay shall be energised• The "Common Fault" relay shall be de-energised	<ul style="list-style-type: none">• A red or amber "DC Voltage Low" LED shall be illuminated• The "Urgent" relay shall be de-energised• The "Common Fault" relay shall be energised

7.12.4 High Voltage Monitoring

The charger output / battery voltage shall be continually monitored and alarms / indications shall be triggered in the event the DC voltage rises above a user-settable limit.

On 24V systems the user-settable limit shall be adjustable between 26 - 33V. The limit shall be set to operate at 28.5V (4% above normal float voltage i.e. 12 cells @ 2.38V per cell).

On 48V systems the user-settable limit shall be adjustable between 51 - 67V. The limit shall be set to operate at 57V (4% above normal float voltage i.e. 24 cells @ 2.38V per cell).

The high voltage monitoring function shall have built in hysteresis i.e. a pick-up / drop-off differential. Once picked-up, the function shall not drop-off until the voltage is at least 0.5% lower than the pick-up value.

The high voltage monitoring function shall be hand-reset i.e. latches once operated.

DC Voltage Normal	DC Voltage High
<ul style="list-style-type: none"> • A red or amber “DC Voltage High” LED shall be extinguished • The “Urgent” relay shall be energised • The “Common Fault” relay shall be de-energised 	<ul style="list-style-type: none"> • A red or amber “DC Voltage High” LED shall be illuminated • The “Urgent” relay shall be de-energised • The “Common Fault” relay shall be energised

7.12.5 Battery Impedance Monitoring

Approximately once in each 24 hour period the battery shall be actively tested (using an automatic routine) to detect faulty cells and poor connections. The test should, where at all possible, be carried out in the morning (say 8:00am) so that in the event a problem is detected any remedial work can be carried out during normal working hours.

The test method shall not adversely affect the life of the battery.

The preferred method of carrying out this test is to reduce the charger output for a short period of time during which the battery voltage is monitored. If the drop in battery voltage is above appropriate limits a possible high impedance condition is indicated. Alarms and indications shall be triggered in the event high impedance conditions are detected during two consecutive tests.

Details of their test method / routine shall be submitted to WPD for approval.

The battery impedance monitoring function shall be hand-reset i.e. latches once operated.

Battery Impedance Normal	Battery Impedance High
<ul style="list-style-type: none"> • A red or amber “Battery Fault” LED shall be extinguished • The “Urgent” relay shall be energised • The “Common Fault” relay shall be de-energised 	<ul style="list-style-type: none"> • A red or amber “Battery Fault” LED shall be illuminated • The “Urgent” relay shall be de-energised • The “Common Fault” relay shall be energised

7.12.6 Earth Fault Monitoring - On 24V Unearthed Systems Only)

Earth fault monitoring is required on 24V unearthed systems employed in the WPD South Wales licence area only.

The charger shall continually monitor the integrity of the connections to dc equipment / wiring, and alarms / indications shall be triggered in the event the earth leakage current rises above a pre-determined value.

The earth fault monitoring shall function as follows:

- a) No more than 5 mA earth fault current shall flow when either the positive or negative pole is directly connected to earth
- b) With battery voltage at its normal float voltage, an alarm shall be given when the insulation resistance of the wiring connected to one pole drops to 6,000 ohms or less with the insulation resistance of the wiring connected to the other pole at 1,000,000 ohms.
- c) With battery voltage between the minimum and maximum levels an alarm shall be given when the insulation level on either pole drops below +10% or -10% of the set value.

Guidance

The driving voltage for an earth fault is assumed to be $\frac{1}{2} V_{dc}$ and an earth fault alarm should be generated when the earth fault current exceeds 2mA.

*On 24V systems this equates to an insulation resistance of:
 $12V / 2mA = 6,000 \text{ ohms}$*

The earth fault monitoring function shall be self-reset.

No Earth Fault	Battery Earth Fault	
	Positive Pole	Negative Pole
<ul style="list-style-type: none"> • A red or amber “Earth Fault - Positive” LED shall be extinguished • A red or amber “Earth Fault - Negative” LED shall be extinguished • The “Non-Urgent” relay shall be de-energised • The “Common Fault” relay shall be de-energised 	<ul style="list-style-type: none"> • A red or amber “Earth Fault - Positive” LED shall be illuminated • The “Non-Urgent” relay shall be energised • The “Common Fault” relay shall be energised 	<ul style="list-style-type: none"> • A red or amber Earth Fault - Negative” LED shall be illuminated • The “Non-Urgent” relay shall be energised • The “Common Fault” relay shall be energised

7.13 Charger Burden

The following details shall be provided:

- The continuous load imposed by the charger control module, monitoring scheme etc, (but excluding the connected DC load)
- The load imposed by the charger on the ac supply system

7.14 Enclosure

Construction requirements for the enclosure are specified in Section 0 above.

The battery charger shall be provided in its own self-contained and lockable compartment. It is permissible for this to form part of a cubicle housing the battery.

The battery charger enclosure shall provide a degree of protection to at least IP2X or IPXXB classification in accordance with BS EN 60529.

The battery enclosure shall be sized such that there is sufficient space to enable:

- The thyristor controlled rectifier to be replaced without dismantling or removing other equipment
- Maintenance activities to be carried out, such as adjusting float voltage and output current settings, cleaning heat sinks and fans, testing battery alarms etc.
- There is adequate access to all components to allow inspections to be undertaken (e.g. for signs of overheating, damage, or decay)

7.15 Labelling

7.15.1 Battery Charger Identification Label

The battery charger shall be provided with a durable and easily visible alphanumeric identification label mounted on the exterior of the enclosure.

The alphanumeric identification shall be (as appropriate):

24V BATTERY CHARGER (WPD)

48V BATTERY CHARGER (WPD)

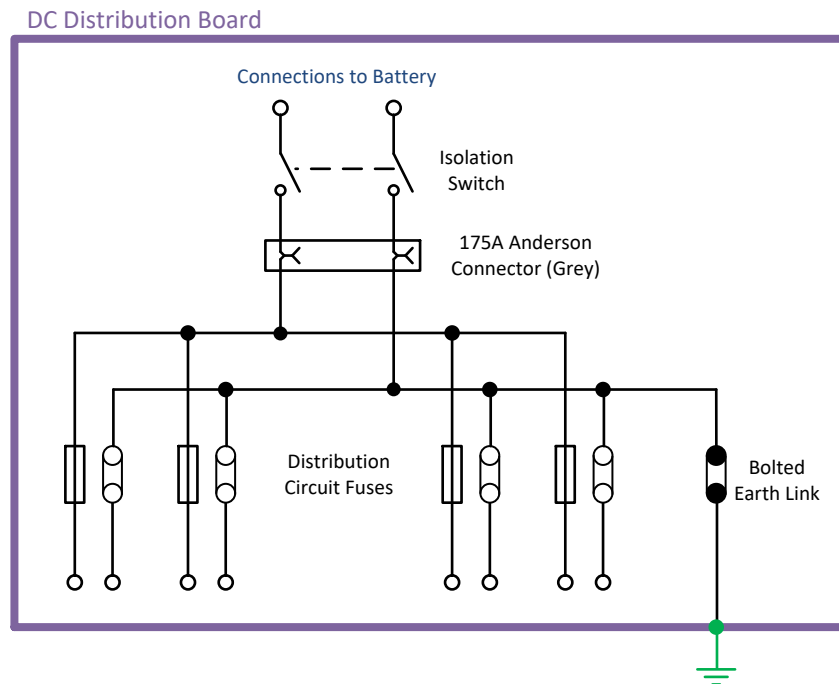
7.15.2 Manufacturer's Information Label

The battery charger shall be provided with a durable and easily visible information label showing the following details:

- Name of manufacturer or supplier
- Manufacturer's or supplier's type reference
- Rated ac input voltage
- Rated ac input current
- Rated dc output voltage
- Rated dc output current
- Date of manufacture

8.0 ADDITIONAL REQUIREMENTS FOR DC DISTRIBUTION BOARDS

8.1 Schematic Diagram of the DC Distribution Board



8.2 Design Life

The dc distribution board shall have a design life of 40 years.

8.3 Circuits and Maintenance Facilities

The incoming circuit (from the battery controller) shall be terminated on a double pole switch-disconnector to BS EN 60947-3. The switch-disconnector shall be suitable for use on DC circuits and shall have the following characteristics:

- A rated insulation voltage of not less than $600V_{dc}$
- A rated impulse withstand voltage of not less than 6kV
- A rated operational current of not less than $50A_{dc}$ at $300V_{dc}$
- A rated short-time withstand current of not less than 600A for 1 second
- A Utilisation Category of not less than DC-21B

An Anderson Type 175A connector shall be provided on the outgoing side of the isolation switch to enable a temporary battery and/or charger to be connected.

Each outgoing distribution circuit shall comprise two fuse carriers & bases, which shall have a current rating of 32A and be suitable for use with fuse links to BS 88-2, reference A2C. Black fuse carriers shall be equipped with a general purpose fuse link with a 32A rating, and white fuse carriers shall be equipped with a solid link.

Black carriers and bases shall be associated with:

- 24V+ connections on negative-earth systems {WPD East Midlands}
- 24V+ and 24V- connections on unearthed systems {WPD South Wales}
- 48V- connections on positive-earth systems (All WPD areas)

White carriers and bases shall be associated:

- 0V connections on negative-earth systems {WPD East Midlands}
- 0V connections on positive-earth systems (All WPD areas)

Provision shall be made for the “supply” side connections associated with the white bases (i.e. the 0V busbar) to be connected to earth via a single bolted link in line with telecommunication practice and in accordance with Section 5.5 above.

8.4 Enclosure

The distribution board shall be contained within a wall mounted enclosure which is physically separate from the cubicles associated with the battery & charger.

The enclosure will be mounted immediately adjacent to the battery & charger and will be interconnected with it by short lengths of cable.

The rationale behind this approach is that it facilitates the preservation of substation dc auxiliary supplies during the replacement of the battery, charger or associated cubicle, which have a much shorter design life than that of the distribution board.

The enclosure shall be equipped with a front mounted hinged and lockable door.

Construction requirements for the enclosure are specified in Section 0 above.

8.5 Wire Marking And Insulation Colour

All wiring in the DC distribution board shall be marked and coloured as per Section 5.6 above.

8.6 Labelling

All labelling shall be in accordance with ENA Technical Specification 50-18.

8.6.1 Distribution Board Identification Label

The DC distribution board shall be provided with a durable and easily visible alphanumeric identification label mounted on the exterior of the enclosure.

The alphanumeric identification shall be (as appropriate):

24V DC DISTRIBUTION BOARD (WPD)

48V DC DISTRIBUTION BOARD (WPD)

8.6.2 System Earthing Label

The DC distribution board shall be provided with a durable and easily visible alphanumeric label mounted on the exterior of the enclosure which identifies the system earthing employed.

The alphanumeric earthing label for 48V systems shall be as follows:

This DC System is connected POSITIVE EARTH

The alphanumeric earthing label for 24V systems is dependent upon which licence area the dc distribution board is for and shall be as follows:

This DC System is connected NEGATIVE EARTH *{WPD East Midlands}*

This DC System is NOT connected to EARTH *{WPD South Wales}*

8.6.3 Fuse-holder Identification Labels

Each fuse-holder shall be provided with a durable and easily visible alphanumeric identification label mounted immediately adjacent denoting its function.

The alphanumeric identification shall be in the form **X Y Z**, where:

X = **DC+ or DC-** (as appropriate)
Y = **CIRCUIT NAME**
Z = **(*A)** (where * is the fuse link current rating)

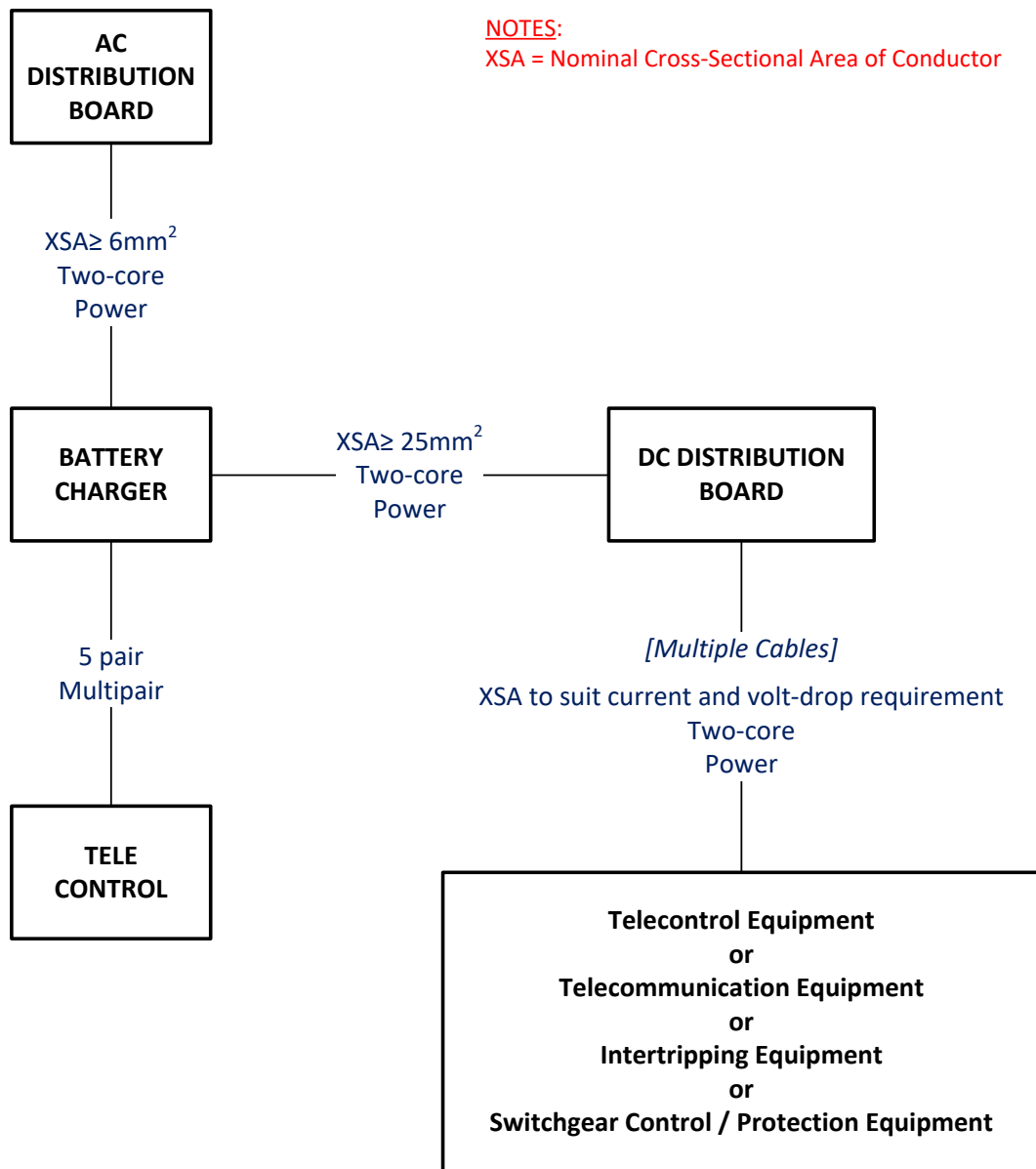
For example: **DC+ TELECONTROL (32A)**

8.6.4 Component Identification Labels

The Anderson connector shall be provided with a durable and easily visible alphanumeric identification label mounted immediately adjacent denoting its function.

9.0 ADDITIONAL REQUIREMENTS FOR AUXILIARY CABLING

9.1 Schematic Diagram of Auxiliary Cabling



9.2 Auxiliary Cables - Power

Auxiliary power cables shall be in accordance with the requirements contained in British Standard BS 5467: Electric cables – Thermosetting insulated, armoured cables for voltages of 600/1000V and 1900/3300V.

Cables shall be rated for voltages of 600/1000V and have annealed stranded copper conductors.

DC and single-phase ac circuits shall employ two-core cable. The cores of all cables shall be identified by insulation colour and by alphanumeric markings as per Section 5.6 above.

The armour shall consist of a single layer of galvanised steel wire.

The nominal cross sectional area of the conductor shall be in accordance with the schematic diagram in 8.1 above. Outgoing cables from the DC distribution board shall have a nominal cross-sectional area to suit the load current and to satisfy the following volt-drop requirements:

- 24V systems maximum volt-drop = 1.2V (5%)
- 48V systems maximum volt-drop = 2.4V (5%)

9.3 Auxiliary Cables - Multipair

Multipair auxiliary cables shall comply with the requirements contained in WPD Engineering Equipment Specification 79: Specification for SCADA Multipair Light Current Control Cables.

9.4 Auxiliary Cables - Glands

Cable glands for use with auxiliary power and multipair cables shall be in accordance with the requirements contained in British Standard BS 6121:

- Part 1: Armour glands – Requirements and test methods
- Part 5: Code of practice for selection, installation and inspection of cable glands and armour glands

Cable glands installed at an indoor or outdoor location shall be of type designation “BW” and “CW” respectively.

The cable gland earth tag shall be connected to the enclosure earth bar / stud using a green/yellow sheathed earth cable. The cable shall have a cross sectional area which is sufficient to carry the earth fault current and in any instance shall be not less than 2.5mm².

10.0 WPD STANDARD CONFIGURATIONS

WPD require batteries, battery chargers and dc distribution boards to be ordinarily supplied in a number of standard configurations. This does not preclude the need for other configurations, but they will be subject to special order.

10.1 24V Systems For WPD South Wales

WPD require 24V systems to be provided in the following forms for its South Wales licence area:

WPD REF	CHARGER				BATTERY		INCLUSIONS
	AC INPUT	DC OUTPUT	DC CURRENT RATING	DC EARTH FAULT MONITORING	MONOBLOCS	TYPICAL NOMINAL C ₁₀ CAPACITY	
62567	230V 1φ	24V	20A	Required	2 Strings of 2	120Ah	<ul style="list-style-type: none"> – Monobloc labels – Battery Identification Label – Battery Charger Identification Label – Component Identification Labels – Manufacturer's Information Label
62568	230V 1φ	24V	25A	Required	2 Strings of 2	180Ah	
62569	230V 1φ	24V	40A	Required	2 Strings of 2	320Ah	
XXXXX	230V 1φ	24V	50A	Required	2 Strings of 2	380Ah	

10.2 24V Systems For WPD East Midlands

WPD require 24V systems to be provided in the following forms for its East Midlands licence area:

WPD REF	CHARGER				BATTERY		INCLUSIONS
	AC INPUT	DC OUTPUT	DC CURRENT RATING	DC EARTH FAULT MONITORING	MONOBLOCS	TYPICAL NOMINAL C ₁₀ CAPACITY	
62564	230V 1φ	24V	20A	Not Required	2 Strings of 2	120Ah	<ul style="list-style-type: none"> – Monobloc labels – Battery Identification Label – Battery Charger Identification Label – Component Identification Labels – Manufacturer's Information Label
62565	230V 1φ	24V	25A	Not Required	2 Strings of 2	180Ah	
62566	230V 1φ	24V	40A	Not Required	2 Strings of 2	320Ah	
XXXXX	230V 1φ	24V	50A	Not Required	2 Strings of 2	380Ah	

10.3 48V Systems

WPD require 48V systems to be provided in the following forms:

WPD REF	CHARGER				BATTERY		INCLUSIONS
	AC INPUT	DC OUTPUT	DC CURRENT RATING	DC EARTH FAULT MONITORING	MONOBLOCS	TYPICAL NOMINAL C ₁₀ CAPACITY	
62576	230V 1φ	48V	20A	Not Required	2 Strings of 4	120Ah	<ul style="list-style-type: none"> – Monobloc labels – Battery Identification Label – Battery Charger Identification Label – Component Identification Labels – Manufacturer's Information Label
62577	230V 1φ	48V	25A	Not Required	2 Strings of 4	180Ah	
62578	230V 1φ	48V	40A	Not Required	2 Strings of 4	320Ah	
61624	230V 1φ	48V	50A	Not Required	2 Strings of 4	380Ah	

10.4 24V Distribution Boards For WPD South Wales

WPD require 24V distribution boards to be provided in the following forms in its South Wales licence area:

WPD REF	WAYS	FUSEHOLDER	FUSEHOLDER COLOUR		WIRE COLOUR		DC SYSTEM EARTH	FORMAT	INCLUSIONS
			+VE POLE	-VE POLE	+VE POLE	-VE POLE			
62197	4 Double Pole	4x RS32/32A	Black	Black	Brown	Grey	Not Required	Wall Mounted	<ul style="list-style-type: none"> – Distribution Board Identification Label – Manufacturer's Information Label – Fuse-holder Labels – System Earthing Label – Component Identification Labels
62198	6 Double Pole	6x RS32/32A	Black	Black	Brown	Grey	Not Required	Wall Mounted	
62199	12 Double Pole	12x RS32/32A	Black	Black	Brown	Grey	Not Required	Wall Mounted	

10.5 24V Distribution Boards For WPD East Midlands

WPD require 24V distribution boards to be provided in the following forms in its East Midlands licence area:

WPD REF	WAYS	FUSEHOLDER	FUSEHOLDER COLOUR		WIRE COLOUR		DC SYSTEM EARTH	FORMAT	INCLUSIONS
			+VE POLE	-VE POLE	+VE POLE	-VE POLE			
61459	4 Double Pole	4x RS32/32A	Black	White	Brown	Blue	Required On Negative Pole	Wall Mounted	<ul style="list-style-type: none"> – Distribution Board Identification Label – Manufacturer's Information Label – Fuse-holder Labels – System Earthing Label – Component Identification Labels
61460	6 Double Pole	6x RS32/32A	Black	White	Brown	Blue	Required On Negative Pole	Wall Mounted	
61461	12 Double Pole	12x RS32/32A	Black	White	Brown	Blue	Required On Negative Pole	Wall Mounted	

10.6 48V Distribution Boards

WPD require 48V distribution boards to be provided in the following forms:

WPD REF	WAYS	FUSEHOLDER	FUSEHOLDER COLOUR		WIRE COLOUR		DC SYSTEM EARTH	FORMAT	INCLUSIONS
			+VE POLE	-VE POLE	+VE POLE	-VE POLE			
60985	4 Double Pole	4x RS32/32A	White	Black	Blue	Grey	Required On Positive Pole	Wall Mounted	<ul style="list-style-type: none"> – Distribution Board Identification Label – Manufacturer's Information Label – Fuse-holder Labels – System Earthing Label – Component Identification Labels
60986	6 Double Pole	6x RS32/32A	White	Black	Blue	Grey	Required On Positive Pole	Wall Mounted	
60987	12 Double Pole	12x RS32/32A	White	Black	Blue	Grey	Required On Positive Pole	Wall Mounted	

11.0 WPD APPROVED MONOBLOCS

The following monoblocs are approved for use on Western Power Distribution's network:

Enersys Powersafe SBS EON Technology Thin Plate Pure Lead range, types:

- SBS B14F
- SBS C11F
- SBS 170F
- SBS 190F

GNB Marathon M FT, types:

- M12V60FT
- M12V100FT
- M12V190FT

12.0 PERFORMANCE DATA FOR WPD APPROVED MONOBLOCS

Note the following data presumes two identical strings of monoblocs are connected in parallel.

Nominal capacity and nominal current are based upon a temperature of 20°C and an end of discharge voltage of 1.80V per cell.

Discharge current values are based upon a temperature of 20°C and an end of discharge voltage of 1.85V per cell.

Manufacturer	Monobloc	Nominal C ₁₀		Discharge Current (Amperes)
		Capacity (Ampere-Hour)	Current (Amperes)	72 Hrs
Enersys	SBS B14F	123.4	12.3	1.84
Enersys	SBS C11F	183.0	18.3	2.90
Enersys	SBS 170F	340.0	34.0	5.32
Enersys	SBS 190F	380.0	38.0	6.00
GNB	M12V60FT	118.0	11.7	1.76
GNB	M12V100FT	200.0	20.0	3.00
GNB	M12V190FT	380.0	38.0	5.96

13.0 SIZING OF LEAD ACID BATTERIES & CHARGERS

Lead acid batteries shall be sized in accordance with IEEE Standard 485: Recommended Practice for Sizing Lead Acid Batteries for Stationary Applications.

13.1 WPD Battery Sizing Calculator

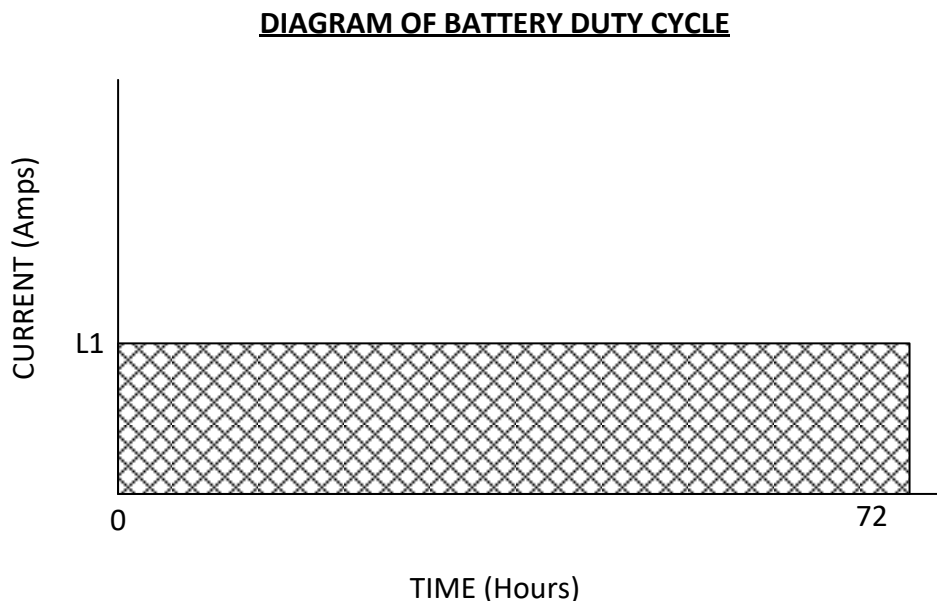
WPD has prepared a Microsoft Excel spreadsheet for calculating the size of a lead acid battery employing WPD Approved monoblocs in accordance with this specification and the methodology described in the following sections.

[Battery Calculator \(EE SPEC 104/3\)](#)

13.2 Battery Duty Cycle

A diagram of the duty cycle, based on the requirements of Section 6.5 above, is shown below.

- L1 is the standing continuous load current



13.3 Preliminary Selection of Cell / Monobloc Type

The battery sizing calculation requires the use of discharge characteristics for a particular cell / monobloc and consequently a preliminary selection of the likely cell / monobloc type has to be made.

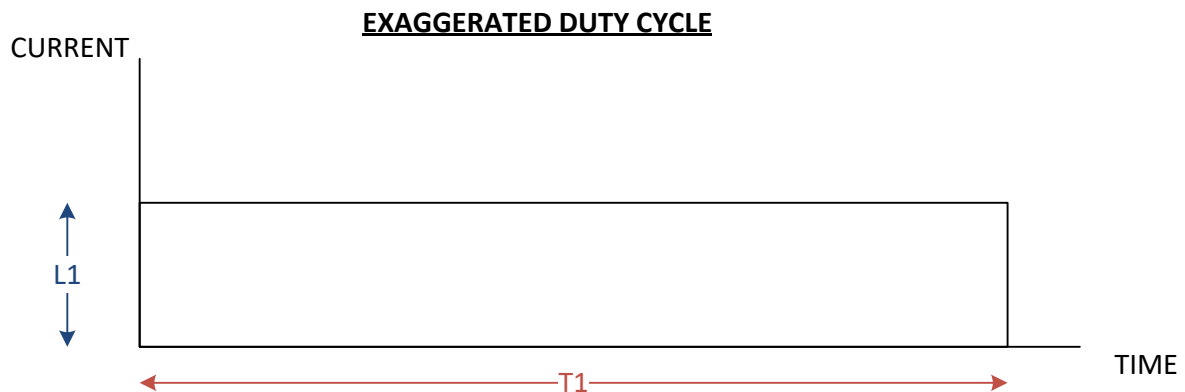
A cell / monobloc type shall be selected which has a 72 hour discharge current capability in excess of 1.43x the standing load current.

For example, if the standing load current is 0.55A, then $1.43 \times 0.55 = 0.79\text{A}$. Using the table in Section 12.0 above, SBS B14F or M12V60FT monoblocs could be selected as they have a 72 hour discharge current capability of 1.84A and 1.76A respectively.

Note that if the battery sizing calculations prove unfavourable for this cell / monobloc type then it will be necessary to repeat the calculations using a different cell / monobloc type.

13.4 Battery Sizing Methodology

Consider the battery duty cycle drawn to an exaggerated scale:



The battery must have enough capacity to carry the load without the average cell voltage dropping below the specified minimum (1.85V) at any point in the duty cycle.

The requisite battery capacity is calculated as follows:

Capacity =

$$\frac{L1 * \text{Nominal } C_{10} \text{ Capacity}}{\text{Discharge Current } (T1)}$$

13.5 Example Calculation

A 48V battery & charger system is required for an existing 132/33kV substation. The 48V system is to power the telecontrol outstation, the telecommunication equipment associated with the outstation, two intertripping relays and two BT line isolation transformers.

The standing continuous load has been assessed as 120 Watts.

Loads expressed in watts should be converted to a current equivalent. Minimum cell voltage should be used for the purpose of this conversion.

$$L1 = 120\text{W} / (24 \text{ cells} * 1.85\text{V per cell}) = 2.70\text{A}$$

The standby period is 72 hours i.e.

$$T1 = 72 \text{ hours}$$

13.5.1 Preliminary Selection of Monobloc Type

A cell / monobloc type shall be selected which has a 72 hour discharge current capability in excess of 1.43x the standing load current.

The standing current is 2.70A and therefore $1.43 \times 2.70A = 3.9A$.

Energys SBS B170F and GNB M12V190FT monoblocs are capable of supplying 5.32A and 5.96A for 72 hours respectively and consequently either could be utilised. In this particular instance it was decided to use Energys monoblocs and consequently the discharge characteristics for the SBS B170F monobloc is used for the detailed calculations.

13.5.2 Period 1 Calculation

T1 = 72 hours

Energys SBS 170F monoblocs (from Section 12.0)

- 72 hour discharge current = 5.32A
- Nominal C₁₀ capacity = 340.0Ah

Current L1 = 2.70A
T1 = 72 hours

Capacity = $\frac{2.70 * 340.0}{5.32} = 172.6Ah$

13.5.3 Battery Design Margin

A battery design margin of 1.1 shall be applied in accordance with 6.5.4

$$1.1 * 172.6Ah = 189.9Ah$$

13.5.4 Temperature Correction Factor

A temperature correction factor of 1.04 shall be applied in accordance with 6.5.5

$$1.04 * 189.9Ah = 197.5Ah$$

13.5.5 Ageing Factor

An ageing factor of 1.25 shall be applied in accordance with 6.5.6

$$1.25 * 197.5Ah = 246.9Ah$$

13.5.6 Overall Assessment

A battery with a nominal C₁₀ capacity not less than 246.9Ah is required.

Energys SBS 170F monoblocs have a nominal C₁₀ capacity of 340.0Ah and therefore are adequate for the intended application.

13.5.7 Charger Sizing

The charger dc output current rating shall be not less than (see section 7.5 above):

$$C_{10} \text{ current for the battery} + (\text{charger design margin} * \text{standing load current})$$

Energys SBS 170F monoblocs have a nominal C₁₀ capacity of 340.0Ah and nominal C₁₀ current of 34.00A (from Section 12.0).

Standing load current L1 = 2.70A

Consequently the charger dc output current rating must not be less than:

$$34.0A + (1.1 * 2.70A) = 37.0A$$

Therefore select a charger with a 40A dc output current rating.

APPENDIX A

SUPERSEDED DOCUMENTATION

This document supersedes EE SPEC: 104/2 dated October 2018 which has now been withdrawn.

APPENDIX B

RECORD OF COMMENT DURING CONSULTATION

[Comments received](#)

APPENDIX C

ANCILLARY DOCUMENTATION

NONE

APPENDIX D

KEY WORDS

Batteries; Chargers; Distribution; Boards; 24V; 48V; DC; Substations