


Company Directive

ENGINEERING SPECIFICATION EE SPEC : 37/1

Outdoor Meter Cabinets

Author: P Hooper

Implementation Date: November 2008

Approved by: 
Policy Manager

Date: 22-10-08

NOTE: The current version of this document is stored in the WPD Corporate Information Database. Any other copy in electronic or printed format may be out of date. Copyright © 2017 Western Power Distribution

IMPLEMENTATION PLAN

Introduction

This document provides the specification for meter boxes supplied via WPD.

Main Changes

A drawing of a Surface Mounted Meter Box Repair Cover has been added to Appendix C.

Impact of Changes

To the procurement processes only.

Implementation Actions

Procurement staff responsible for tendering this equipment shall use this new specification.

Implementation Timetable

This specification shall be implemented with immediate effect, and will be used at the next contract award.

Page Revised 1st February 2017

Document Revision & Review Table		
Date	Comments	Author
01/02/2017	A drawing of a Surface Mounted Meter Box Repair Cover has been added to Appendix C.	P. Hooper
15/05/2014	A requirement for the meter box key to contain the WPD logo and telephone number has been added to section 2.0.	P. Hooper
28/02/2013	The references to ENA TS 12-3 have been replaced with BS 8567-2012. There are no changes to the specification	P. Hooper

1.0 SCOPE

This Specification deals with Western Power Distribution (WPD's) requirements for both metal and Glass Reinforced Plastic (GRP) outdoor meter cabinets.

2.0 GENERAL

The finished metal and GRP meter cabinets shall meet the requirements of the British Standard 8567-2012, or equivalent standard, except where modified by this Specification: -

- Metal meter cabinets shall be of equivalent size and design as given for the GRP cabinets in British Standard 8567-2012.
- Physical sizes of the metal and GRP meter cabinets used within Western Power Distribution shall be as detailed in section 6.0 of this document.
- All flush mounted meter cabinets shall have the facility to allow the service hockey stick to be flush mounted on the exterior wall of the building and enter the cabinet as shown in appendix A.

All types of meter cabinets shall be fitted with door restraints such that when open, the door will not become damaged or cause damage to the hinges etc. if the open door is struck by a gust of wind.

All door locks used on the various meter cabinets shall be of a "Slam Shut" type of design, thus ensuring that the door will automatically lock when closed.

All meter box keys shall be green in colour (RAL 6033), having the Western Power Distribution name logo and the words "Power Cut or Emergency - Call 0800 6783 105" embossed on them.

The various sizes and types of metal and GRP meter cabinets shall be fitted with the appropriately sized meter back board.

Each meter cabinet shall be provided with an additional 'Ramp' meter board to enable the cutout to be fitted at an angle. The dimensions of the ramp shall be as shown in Appendix B, these ramp boards shall not be fixed in to the cabinet but shall be supplied separately.

Page revised 15 May 2014

3.0 ADDITIONAL LABELLING

A permanent self adhesive label shall be fixed inside the meter cabinet, on the right hand side of the meter back board. The label should be as large as possible and state clearly:-

- NOTICE TO ELECTRICIANS- All Customers cables to enter this enclosure via the entry hole supplied or from the bottom panel only.

4.0 METER BOARDS

Meter back boards and ramps shall be fire resistant and manufactured from chipboard.

5.0 METAL METER CABINETS

Metal meter cabinet shall be of equivalent design to British Standard 8567-2012 and fitted with an appropriate earthing terminal. The paint finish shall be powder coat and the colour shall be white or grey.

6.0 METER CABINET SIZES

METAL METER CABINETS					
Description	Overall Size (mm)	To fit brickwork opening (mm)	Type of Steel	Colour	Comments
Surface Mounted	695 x 505 x 200	N/A	Commercial Grade	Grey	Used where there is a need for additional mechanical protection
Semi-Recessed	657 x 470 x 180	606 x 415 x 130	Zintec	Grey	The common corridor or hall on any floor or common access way for flats or maisonettes

Page revised 28 February 2013

GRP METER CABINETS				
Description	Overall Size (mm)	To fit brickwork opening (mm)	Colour	Comments
Flush Fire Retardant electric cabinet small (See Note 1)	595 x 409 x 210	535 x 365 x 150	White	Can be used in the common corridor or hall on any floor or common access way for flats or maisonettes other than any protected stairway as defined in BS9999 2008 (See Note 2)
Fire Retardant Slimline meter box (for application within limited space) including strap	828 x 279 x 210	770 x 235 x 150	White	Can be used in external walls and in the common corridor or hall on any floor or common access way for flats or maisonettes other than any protected stairway as defined in BS9999 2008 (See Note 2)
Slimline meter box (for application within limited space) including strap	828 x 279 x 210	770 x 235 x 150	White	Used in external walls
Flush electric cabinet, standard (small) including strap	595 x 409 x 210	535 x 365 x 150	White	Used in external walls
Flush electric cabinet, large 3 Phase	770 x 550 x 210	700 x 475 x 145	White	For three phase supplies. In external walls
Surface Mounted electric cabinet, large 3 Phase	780 x 550 x 225	N/A	White	For three phase supplies. Outdoor where the use of the recessed cabinet is not possible.
Surface Mounted electric cabinet (Not Fire Retardant)	560 x 400 x 215	N/A	White	For single phase supplies. Outdoor where use of the recessed cabinet is not possible.
<p>Note 1 :- With Fire Retardant class 0 backboard, brass hinges and fire resistant to a minimum Class 2 as described in BS476 Part 7 (1997)</p> <p>Note 2 :- protected stairway stair discharging through a final exit to a place of ultimate safety (including any exit passageway between the foot of the stair and the final exit) that is protected from fire elsewhere in the building by fire-resisting construction</p>				

Page revised 16 April 2012

7.0 METAL DOOR REPAIR KITS

Metal door repair kits shall be suitably sized such that they fit the meter boxes to which they are to be attached and capable of providing adequate security and protection from ingress of moisture. The paint finish shall be powder coat and the colour shall be white or grey.

Page Inserted 25th June 2012

APPENDIX A

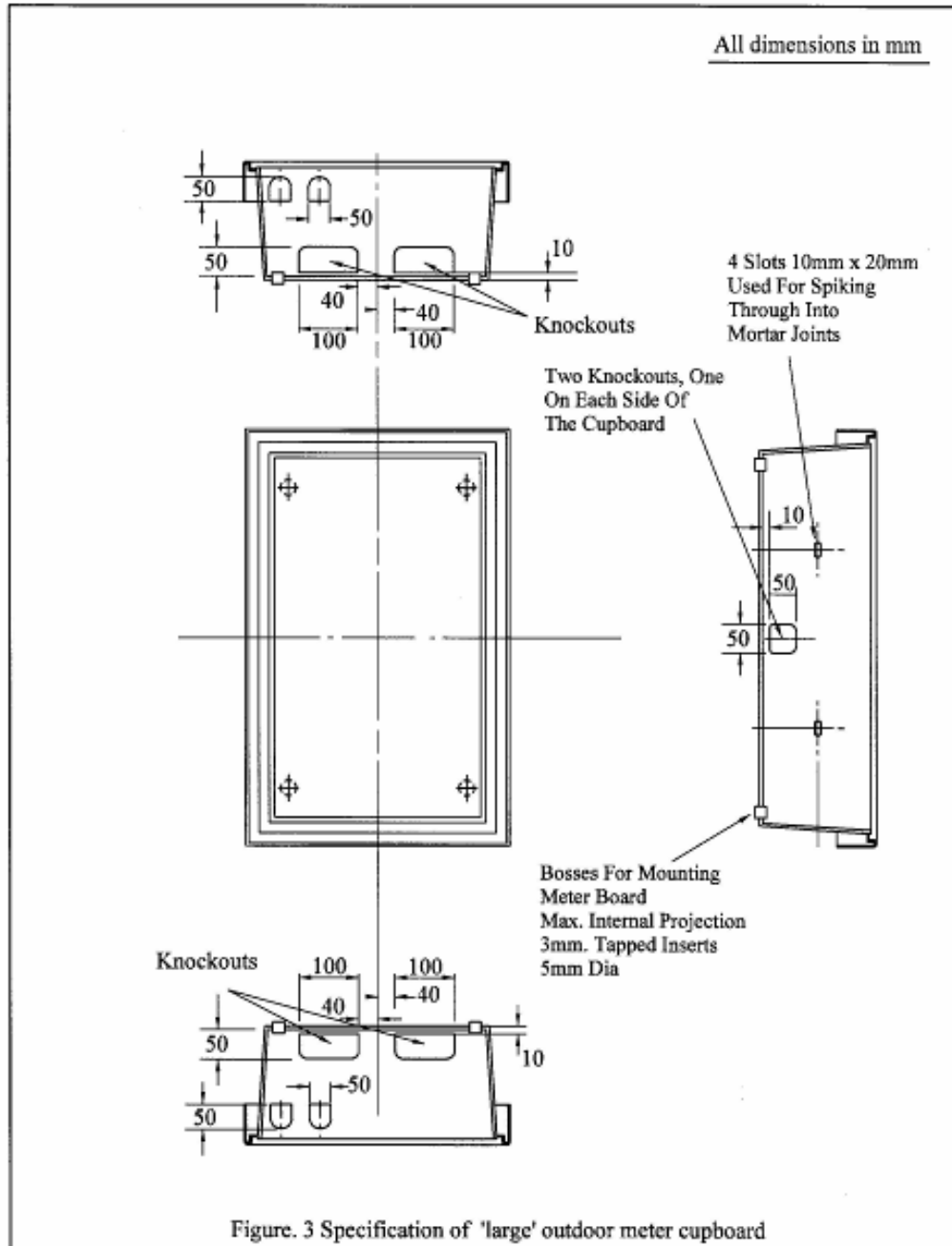

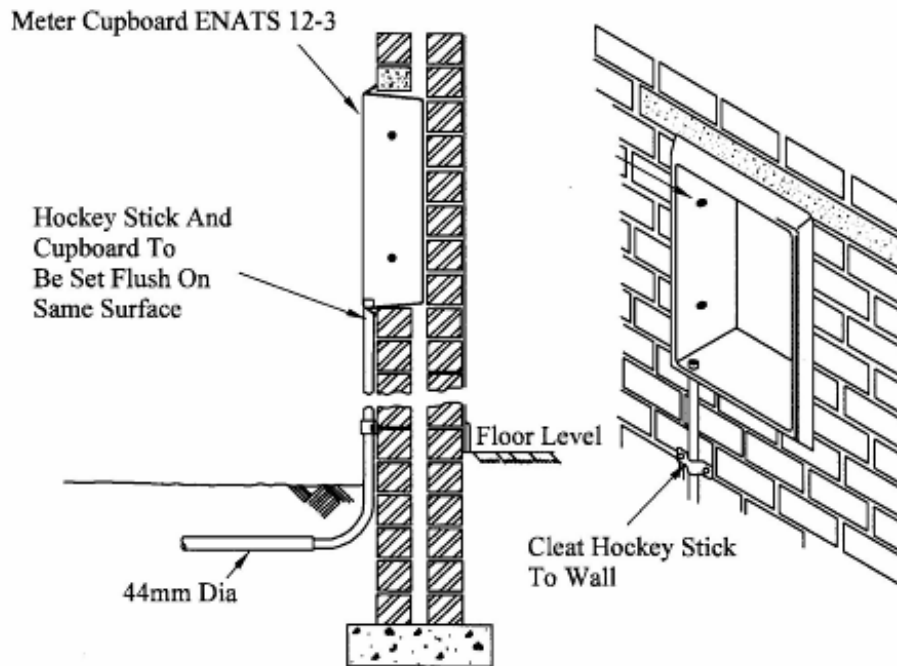



Figure. 3 Specification of 'large' outdoor meter cupboard

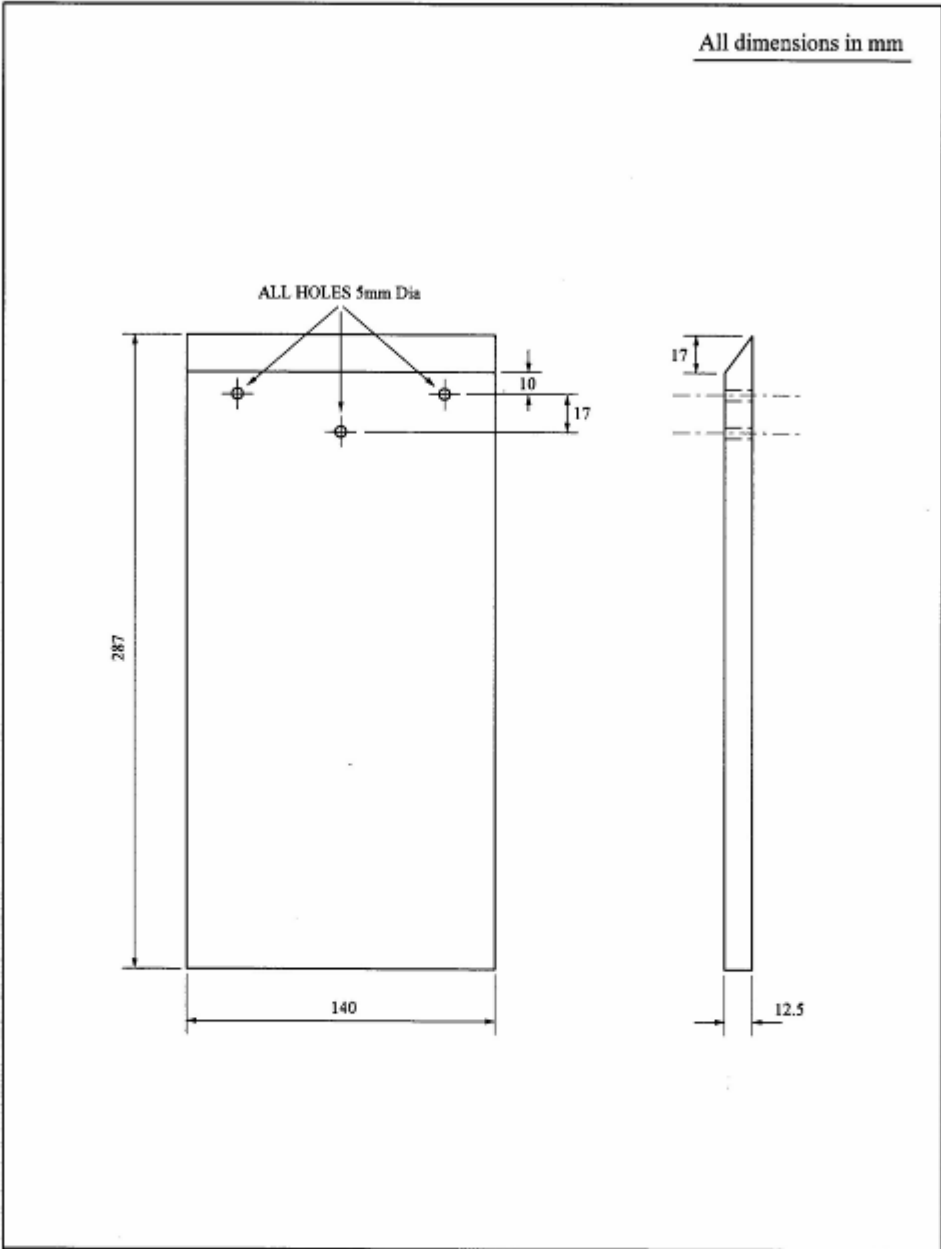
Rev No	Drawn	Chk'd	App'd	Date	Revision		
ORIGINAL ISSUE				DATE	WESTERN POWER DISTRIBUTION Design Department. Avonbank, Feeder Road, Bristol BS2 0TB Tel: 0117 933 2000 Fax: 0117 933 2001.		
Drawn	RJB			05/08	Title Meter box		 Drg. No. EE 37-1
Checked							
Approved							
SCALE	N.T.S.						

All dimensions in mm



Rev No	Drawn	Chk'd	App'd	Date	Revision	
ORIGINAL ISSUE	DATE	WESTERN POWER DISTRIBUTION Design Department. Avonbank, Feeder Road, Bristol BS2 0TB Tel: 0117 933 2000 Fax: 0117 933 2001.				
Drawn	JR	2.87	Title			
Checked			GENERAL ARRANGEMENT FOR TYPE E - SURFACE ENTRY METER CUPBOARD		EE 37-2	3
Approved			SCALE			
	N.T.S.					

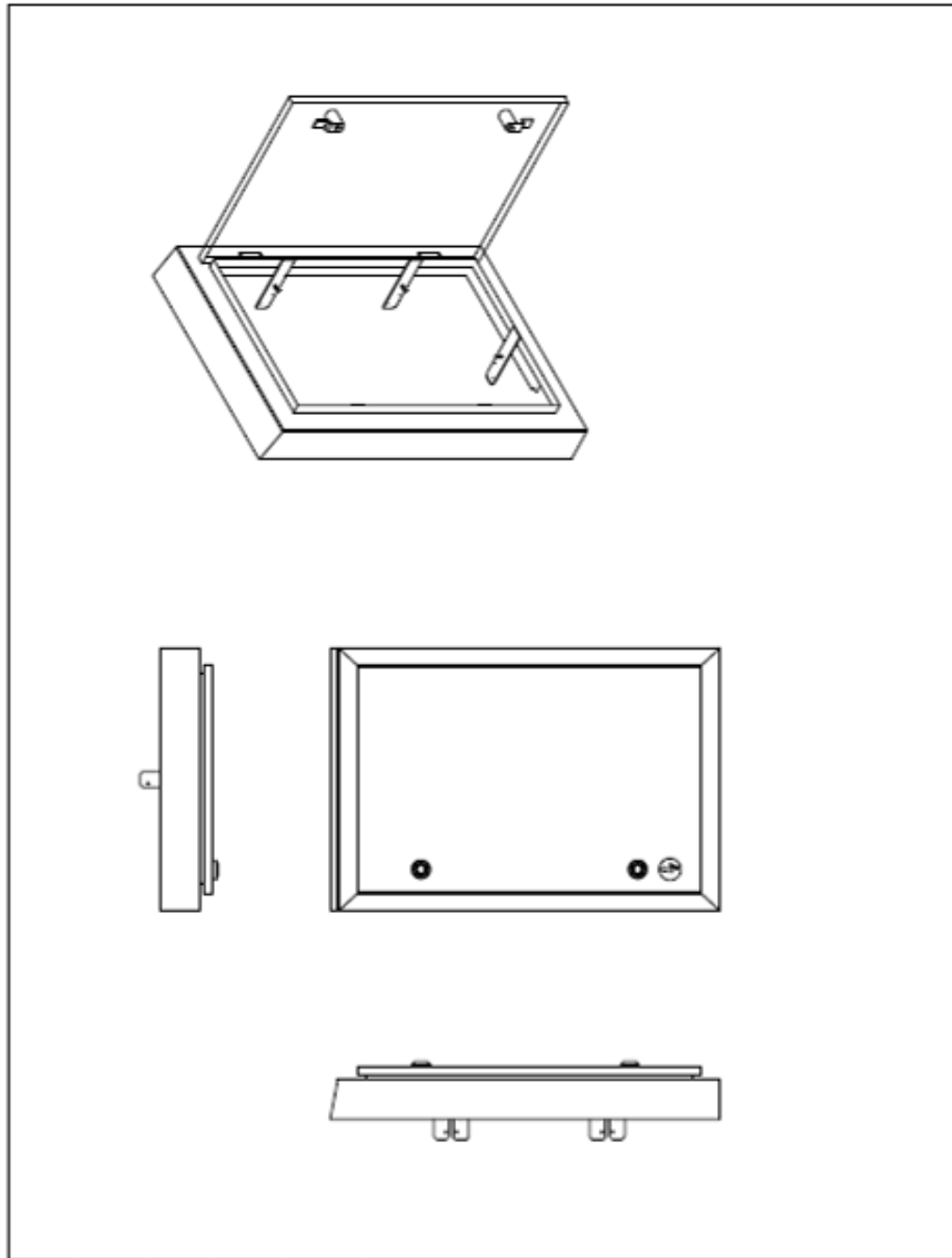
APPENDIX B




Rev No	Drawn	Chk'd	App'd	Date	Revision				
ORIGINAL	ISSUE	DATE	WESTERN POWER DISTRIBUTION Design Department. Avonbank, Feeder Road, Bristol BS2 0TB Tel: 0117 933 2000 Fax: 0117 933 2001.			WESTERN POWER DISTRIBUTION			
Drawn	RJB	05/08	Title			Drng. No.	Rev No		
Checked			METER BOARD FOR CUT OUT (RAMP)			EE 37-3			
Approved			SCALE			N.T.S.			

ALL RIGHTS ARE RESERVED TO WPD (South West) plc. NO PART OF THIS DRAWING MAY BE REPRODUCED OR TRANSMITTED IN ANY FORM OR BY ANY MEANS, INCLUDING PHOTOCOPYING AND RECORDING, OR STORED IN A RETRIEVAL SYSTEM OF ANY NATURE, WITHOUT PERMISSION.

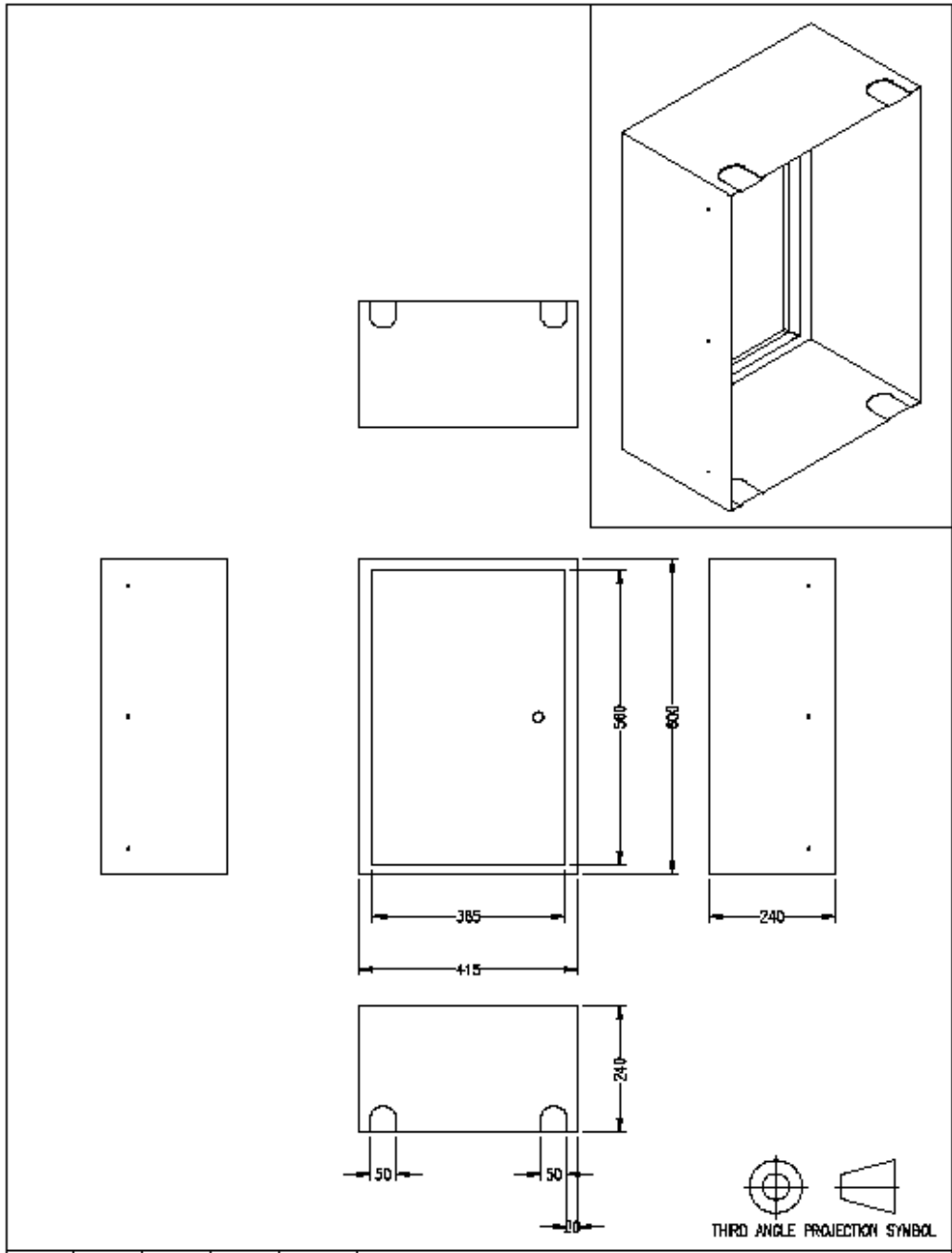
APPENDIX C



Rev No	Drawn	Chk'd	App'd	Date	Revision		
ORIGINAL ISSUE	DATE	WESTERN POWER DISTRIBUTION Design Department. Aronbank Feeder Road, Bristol BS2 07B Tel: 0117 933 2000 Fax: 0117 933 2001			 WESTERN POWER DISTRIBUTION		
Drawn	RJB 06/12	Title					
Checked		DOOR AND FRAME			DF		
Approved		SCALE			N.T.S.		

ALL RIGHTS ARE RESERVED TO WPD (South West) plc. NO PART OF THIS DRAWING MAY BE REPRODUCED OR TRANSMITTED IN ANY FORM OR BY ANY MEANS, INCLUDING PHOTOCOPYING AND RECORDING, OR STORED IN A RETRIEVAL SYSTEM OF ANY NATURE, WITHOUT PERMISSION.

Page Inserted 25th June 2012



Surface Mounted Meter Box Repair Cover

Page Inserted 1st February 2017

APPENDIX D

SUPERSEDED DOCUMENTATION

EE SPEC:37 dated May 2008 which must now be withdrawn.

APPENDIX E

ASSOCIATED DOCUMENTS

BS 8567-2012

APPENDIX F

KEYWORDS

Meter, Cabinet, Repair kit